

Harvia Spa Modules





Harvia Spa Modules

Interior elements for spas and steam rooms

Harvia Spa Modules offer an easy and effective way to implement the furnishings and structures of even the most demanding spa destinations. The manufacturing method can also be scaled down effectively for home steam rooms, spas and shower recesses – in almost any form imaginable.

Harvia Spa Modules are

- easy and quick to install
- easy to modify
- lightweight yet strong (with a structural strength comparable to concrete)
- particularly effective at water insulation
- comfortable to use (they warm up/cool down when in contact with the body much faster than concrete structures)
- manufactured from extruded polystyrene (XPS)
- ecological compared to concrete (manufacturing consumes less water and energy)

Ready-made – just add a surface!

Harvia Spa Modules deliveries comprise wall, ceiling and seat structures as ready-to-install modules. After the modules have been installed, they are levelled and waterproofed. All the client has to do is select and purchase tiles and arrange for their installation.



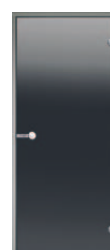
For use in spas, home spas, fitness clubs, wellness centres, hotels...

- steam rooms
- showers
- cold rooms
- poolside benches, swimming pools
- furniture, such as recliners



A magnificent steam room experience from Harvia

- Harvia Spa Modules structures
- Harvia HGX and HGP steam generators and accessories
- aluminium door profiles
- lighting products
- steam fountains



Steam rooms

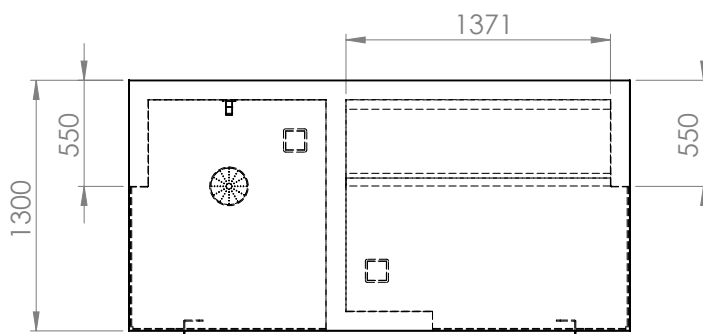
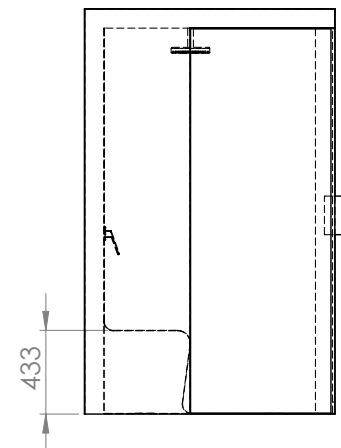
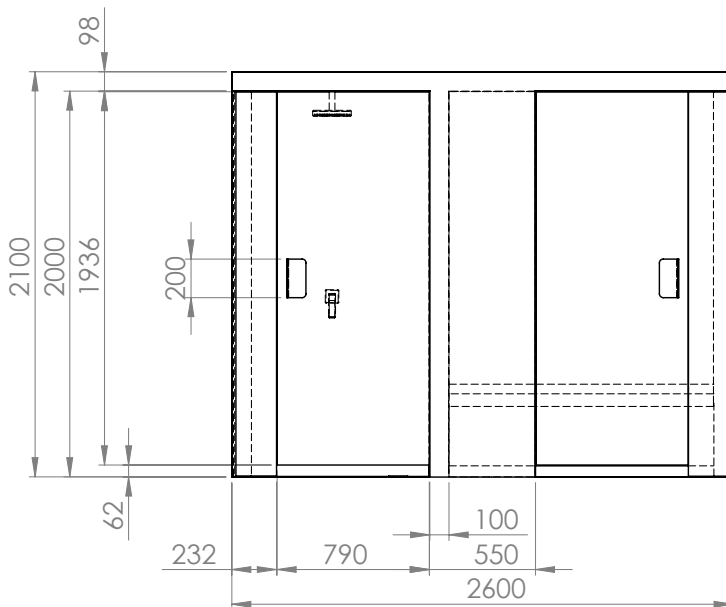
SMNR2613 Nord

2600 x 1300 mm

Recommended steam generator output 4,5 kW



Nord – for the client who prefers minimalist style. Due to its size Nord is suitable for private houses and apartments. The steam bath and shower fits perfectly in smaller beauty salons and hotel suites due to its ability to accommodate 2–4 persons.



Steam rooms

SMCU2021 Cupola

2000 x 2100 mm

Recommended steam generator output 6,0 kW

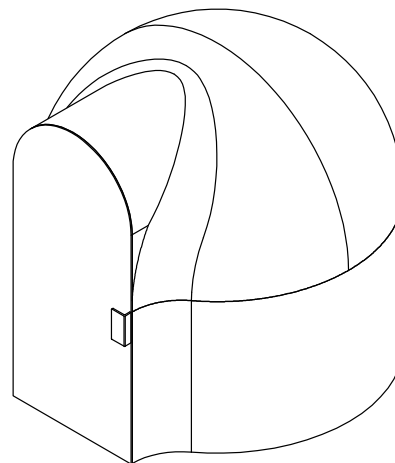
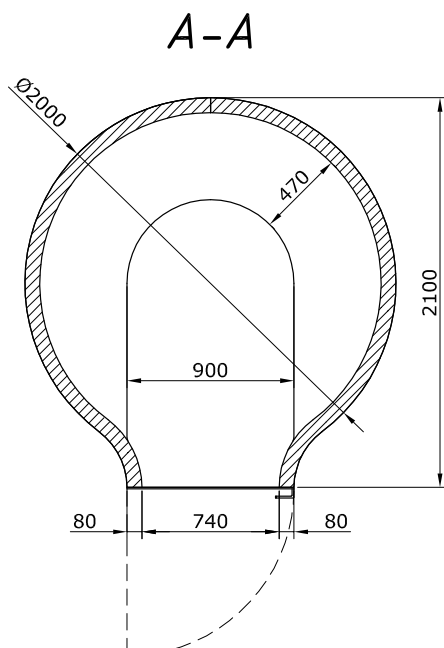
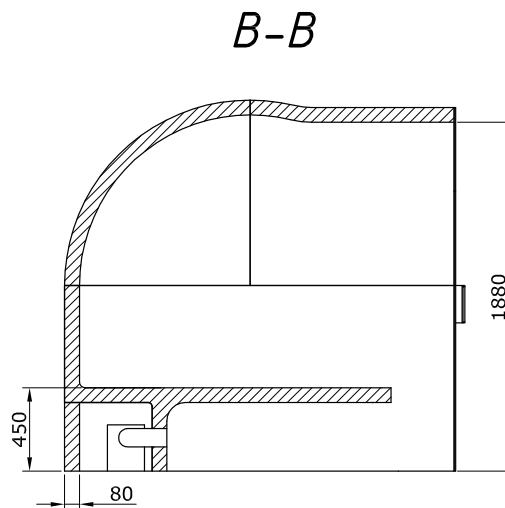
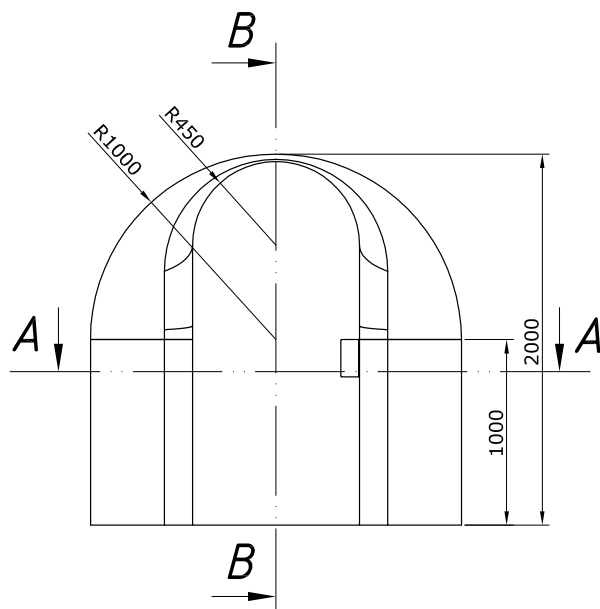


Cupola is a dome-style steam bath. The extraordinary shape enables you to enjoy sauna as it was done originally centuries ago in Ancient Greece and Rome. Cupola is suitable for private home spas and public wellness centres and it can fit 4–10 persons (depending on size).

For special orders the technical restrictions of Cupola baths will be given separately for each order. Technical restrictions for standard models:

minimum size: d = 2m, h = 2,2m

maximum size: d = 4m, h = 3m

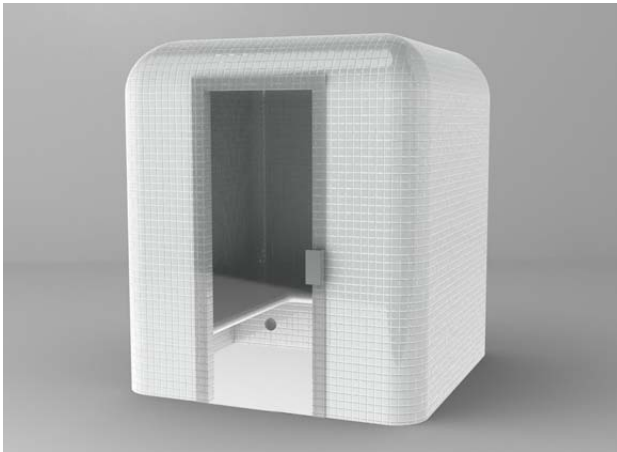


Steam rooms

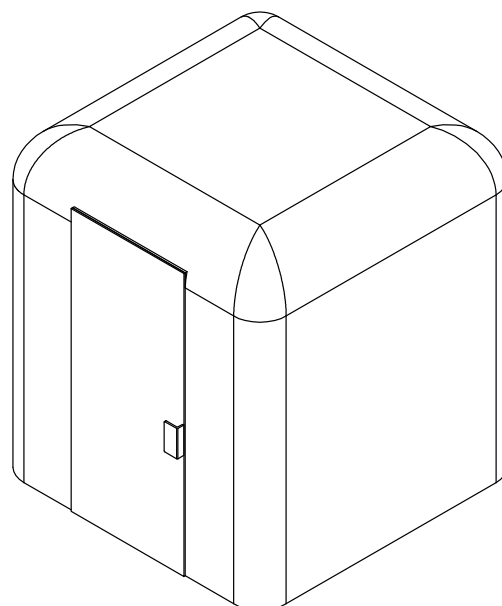
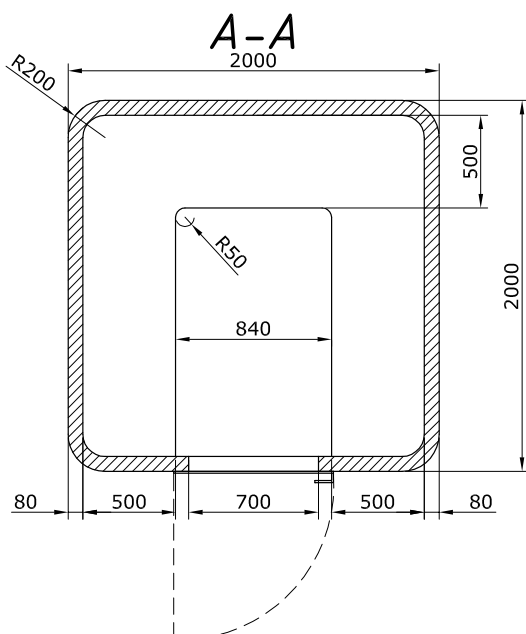
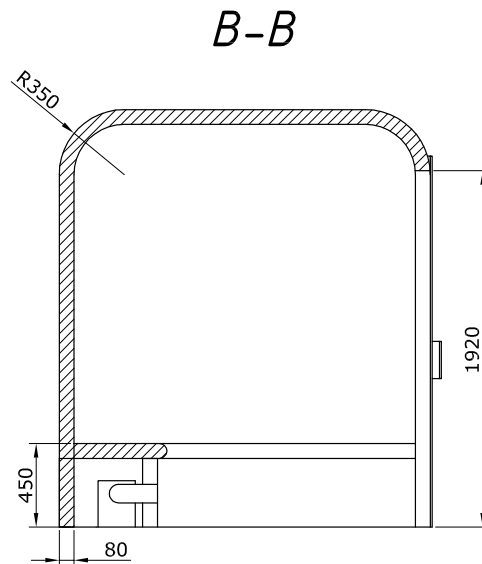
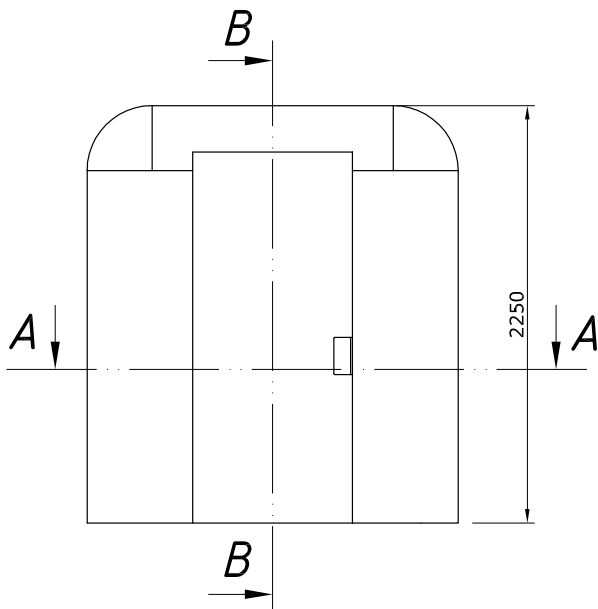
SMCB2020 Cubo

2000 x 2000 mm

Recommended steam generator output 6,0 kW



Cubo steam baths – for the client who prefers special solutions and quality. Suitable for use in private and public spas as well as medical centres. The largest Cubo steam baths have 3x3 meters of floor space, are 2,5 meters high and are able to fit 6–14 persons.



Steam rooms

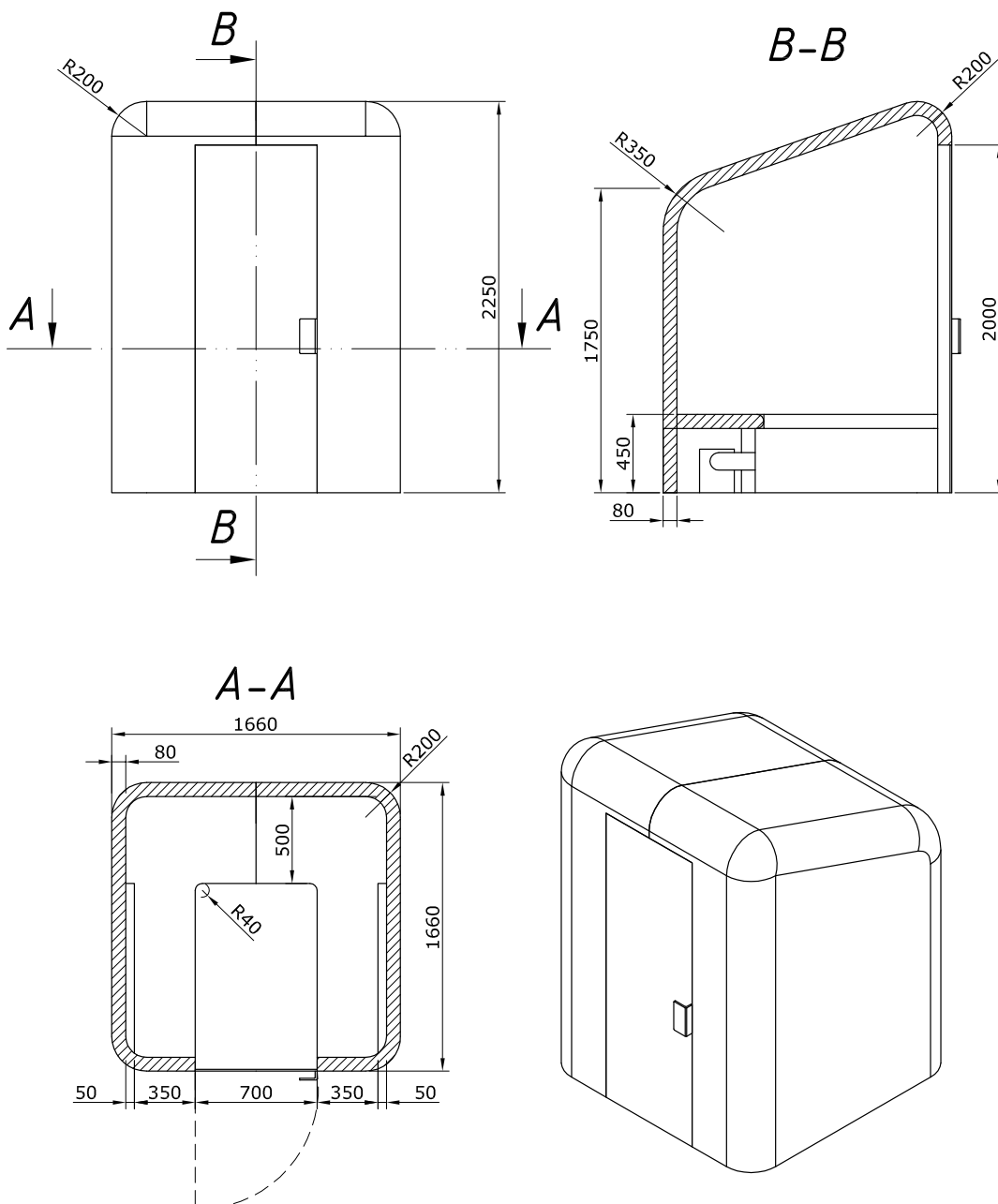
SMTA1717 Tacco

1660 x 1660 mm

Recommended steam generator output 4,5 kW



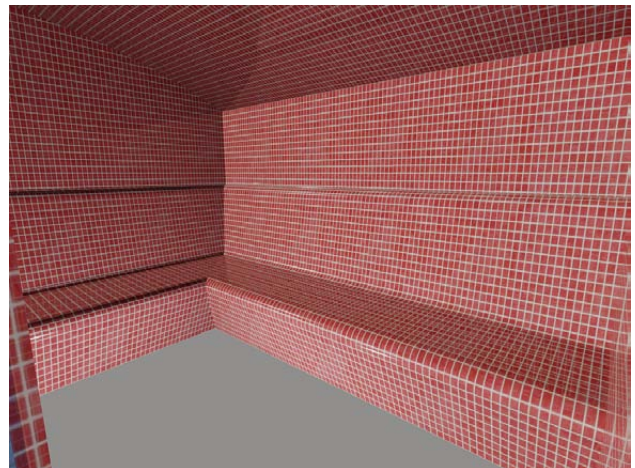
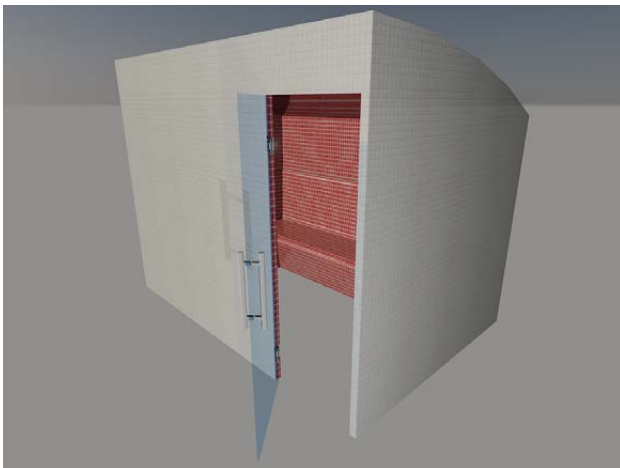
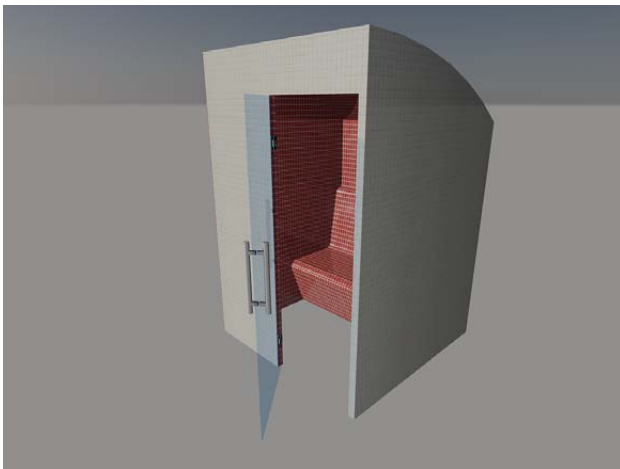
Tacco steam baths – for the client who prefers special solutions and quality. Suitable for use in private and public spas as well as medical centres. The largest Tacco steam baths have 3x3 meters of floor space, are 2,5 meters high and are able to fit 6–14 persons.



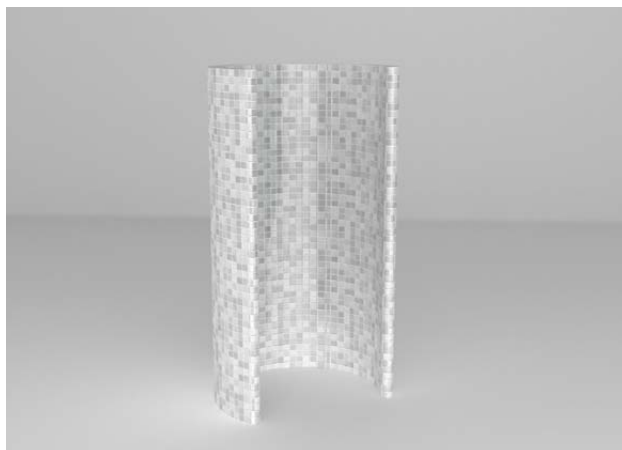
Basic steam rooms

SMSR1212	1200 x 1200 mm	Recommended steam generator output 4,5 kW
SMSR1218	1200 x 1800 mm	Recommended steam generator output 4,5 kW
SMSR1515	1500 x 1500 mm	Recommended steam generator output 4,5 kW
SMSR1520	1500 x 2000 mm	Recommended steam generator output 6,0 kW
SMSR1212	2000 x 2000 mm	Recommended steam generator output 6,0 kW
SMSR1212	2000 x 3000 mm	Recommended steam generator output 9,0 kW
SMSR1212	3000 x 3000 mm	Recommended steam generator output 15,0 kW
SMSRFE	Floor elements for Basic steam rooms with drain	

Basic steam rooms with various sizing options.

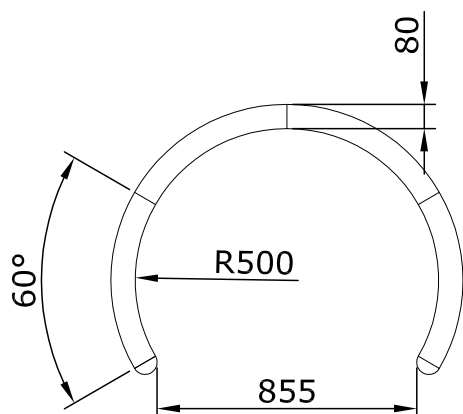
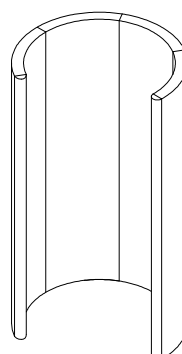
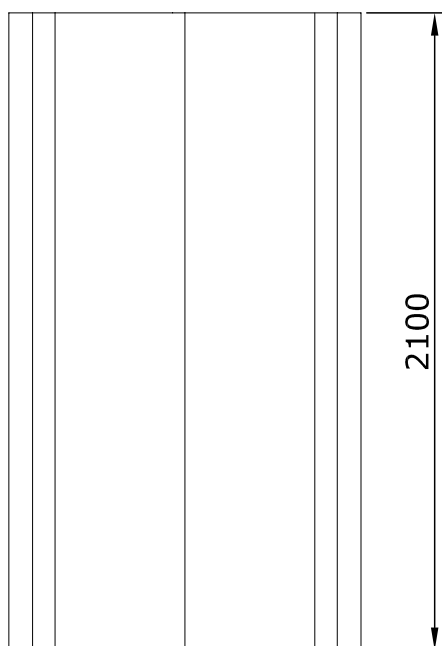


SMSC21 Circle R=1000, height 2100, walls 80 thick



Circle – unique design corner shower cabins to make the interiors of private houses as well as wellness centres more lively. Exclusive product design enables you release your fantasy for the layout of ceramic tiles.

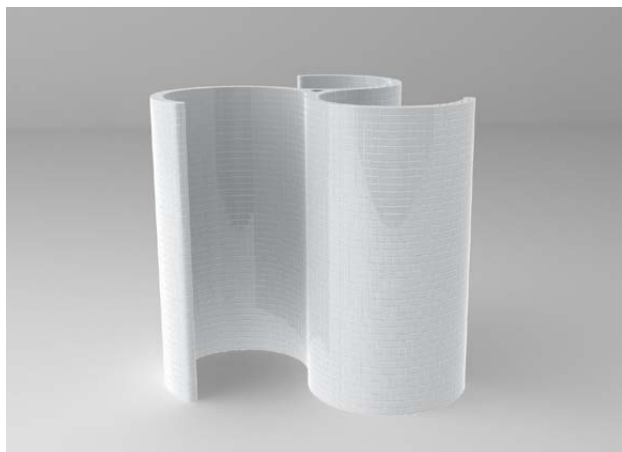
Technical restrictions for corner shower cabins are determined upon special request (project-based). The recommended diameter is 1–2 meters.



SMSS21

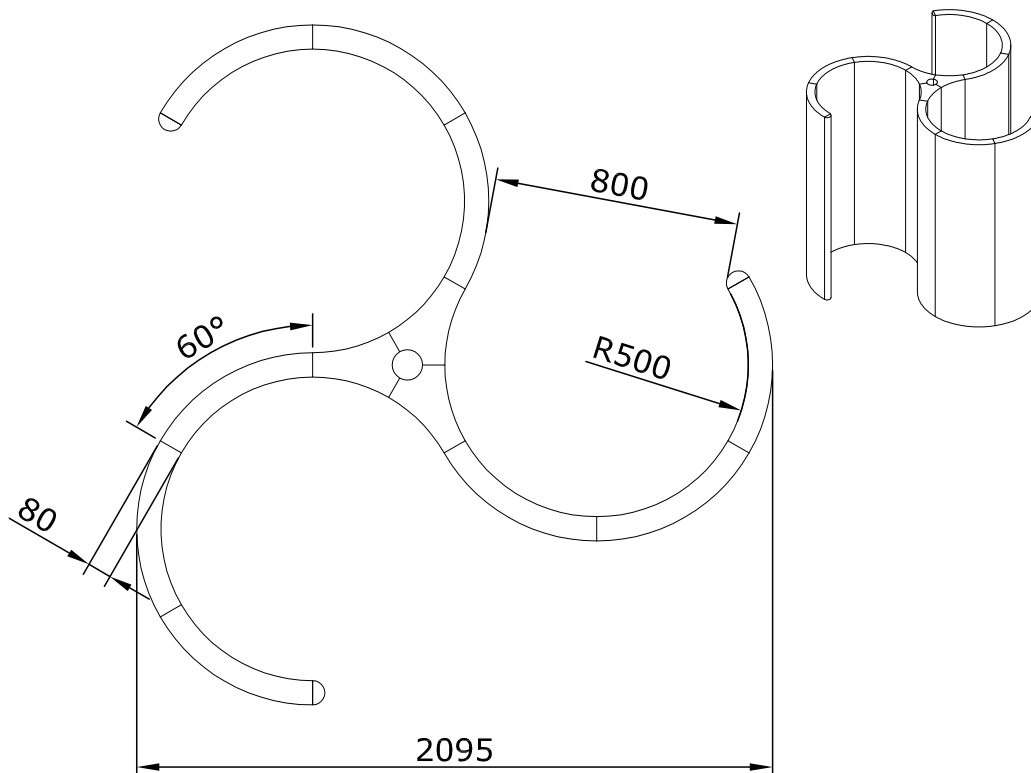
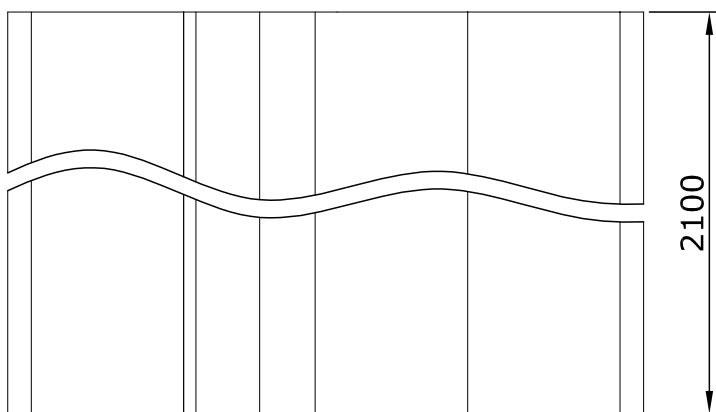
Shower

height 2100, walls 80 thick



Shower – unique design corner shower cabins to make the interiors of private houses as well as wellness centres more lively. Exclusive product design enables you to release your fantasy for the layout of ceramic tiles.

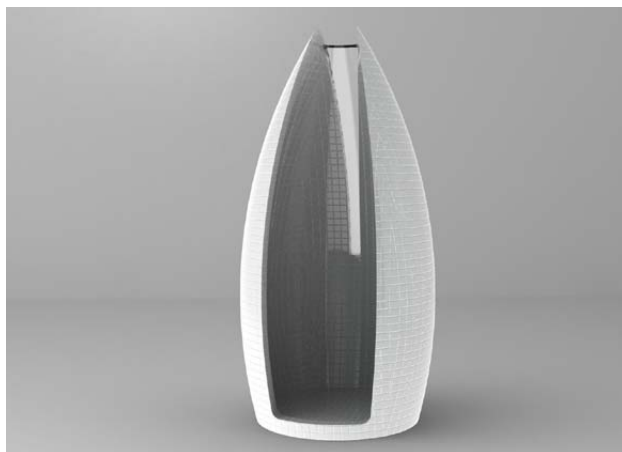
Technical restrictions for corner shower cabins that are produced upon special order are determined upon special request (project-based). Technical restrictions for serial production: $d= 1\text{m}$, $h= 2,5\text{m}$.



SMST25

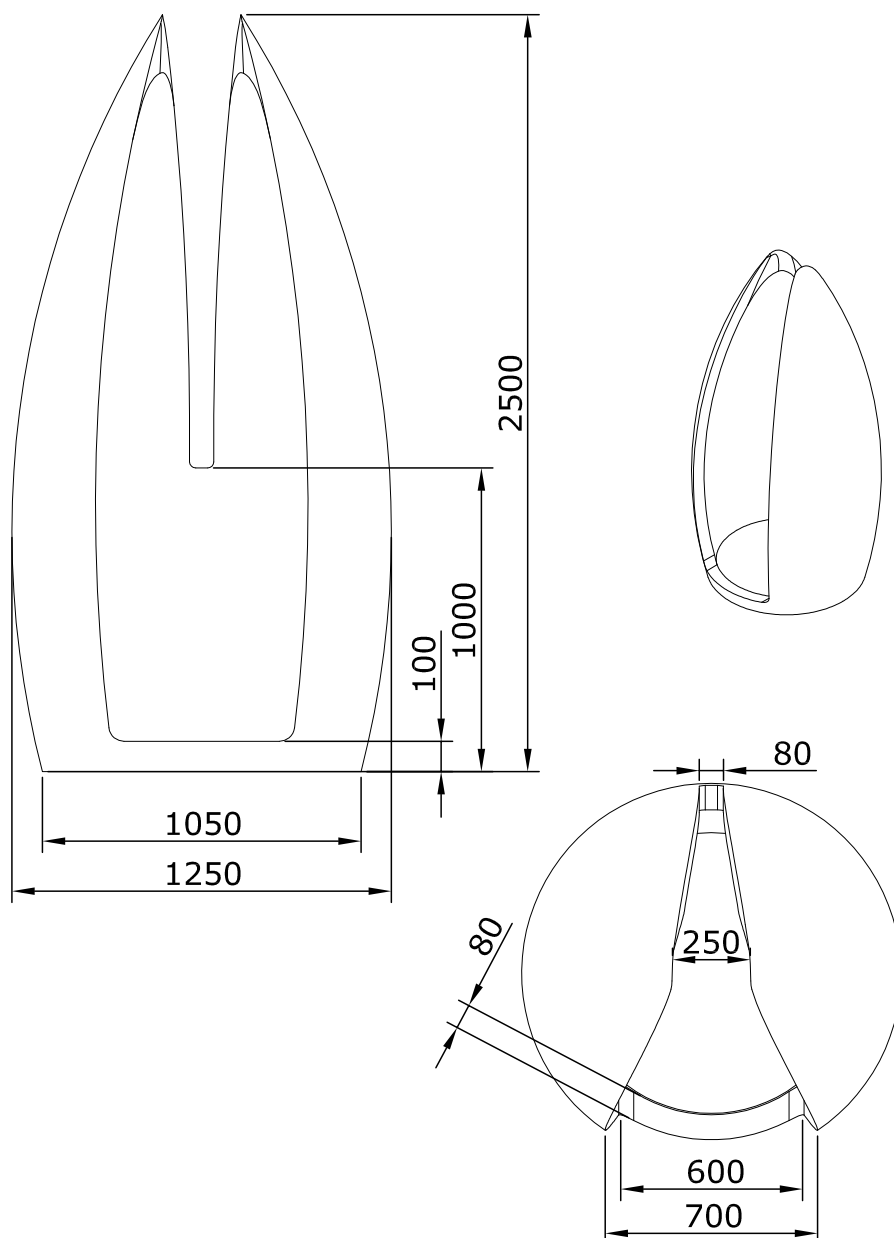
Tulipe

height 2500, walls 80 thick



Tulipe – exclusive design corner shower cabin.

Technical restrictions for serial production of Tulipe: 1,25m, h = 2,5m. Technical restrictions are determined upon special request (project-based). The recommended diameter is 1–2 meters.



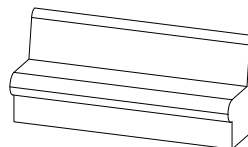
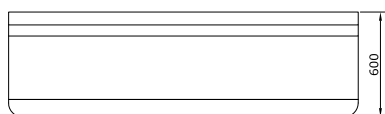
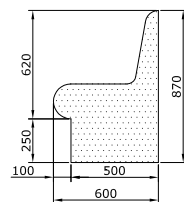
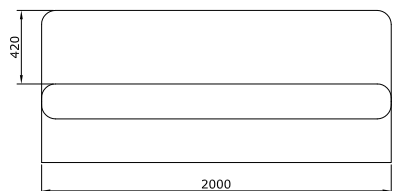
Benches

- SMBB Basic
- SMBB1 Basic 1
- SMBB2 Basic 2

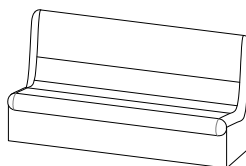
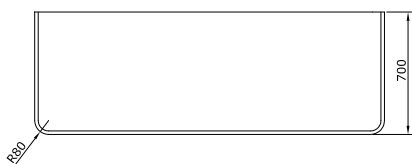
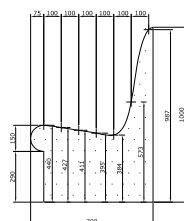
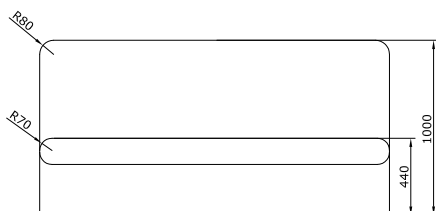


Basic bench – We produce benches with different profiles for several purposes. Benches can also be ordered according to dimensions provided by the client. Our benches help you relax and are of extraordinary design. You can use them indoors or outdoors – in garden, terrace or by the pool.

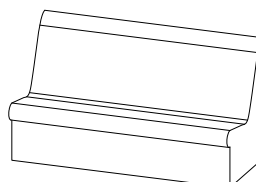
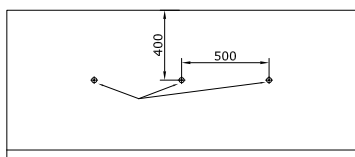
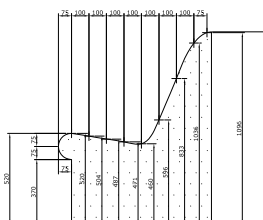
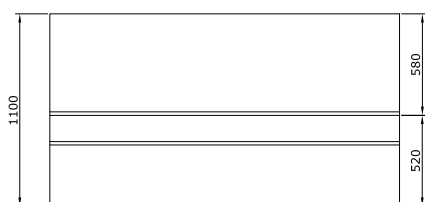
Basic



Basic 1

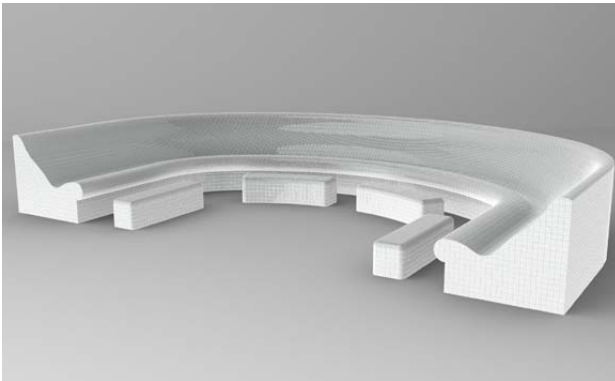


Basic 2

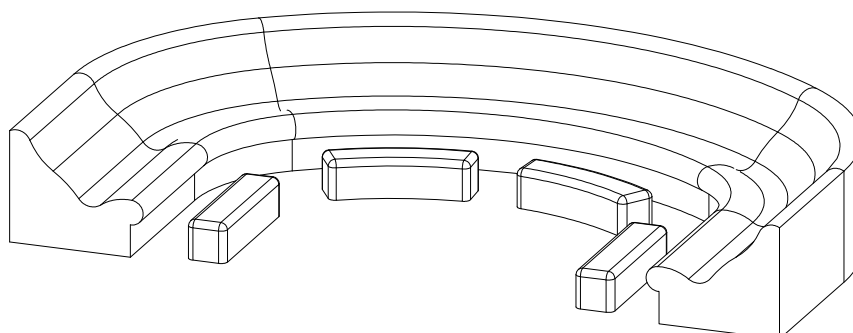
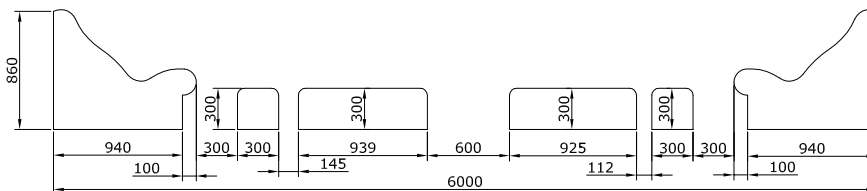
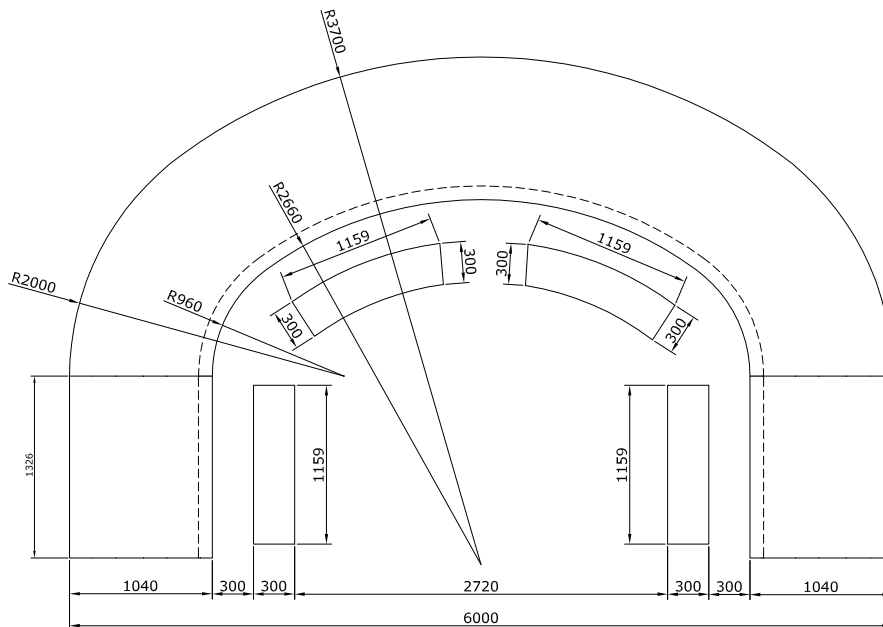


Benches

SMBD DeLuxe

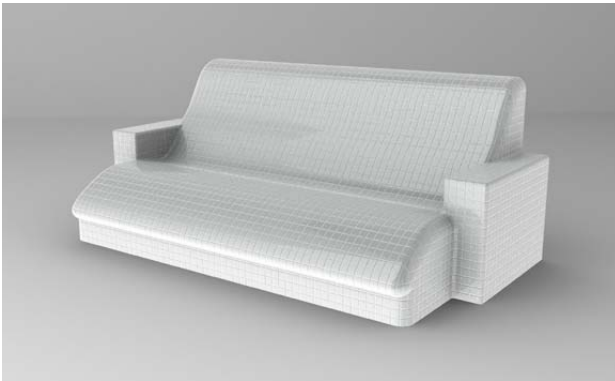


DeLuxe bench – We produce benches with different profiles for several purposes. Benches can also be ordered according to dimensions provided by the client. Our benches help you relax and are of extraordinary design. You can use them indoors or outdoors – in garden, terrace or by the pool.

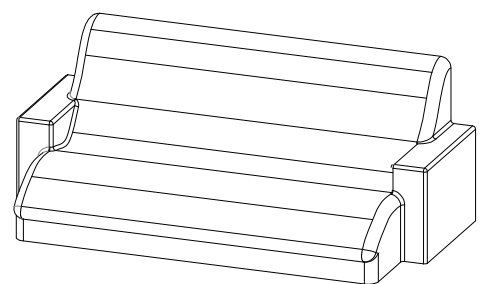
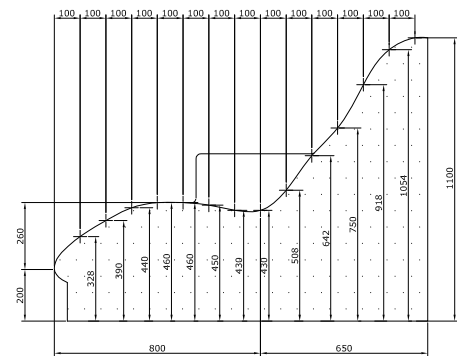
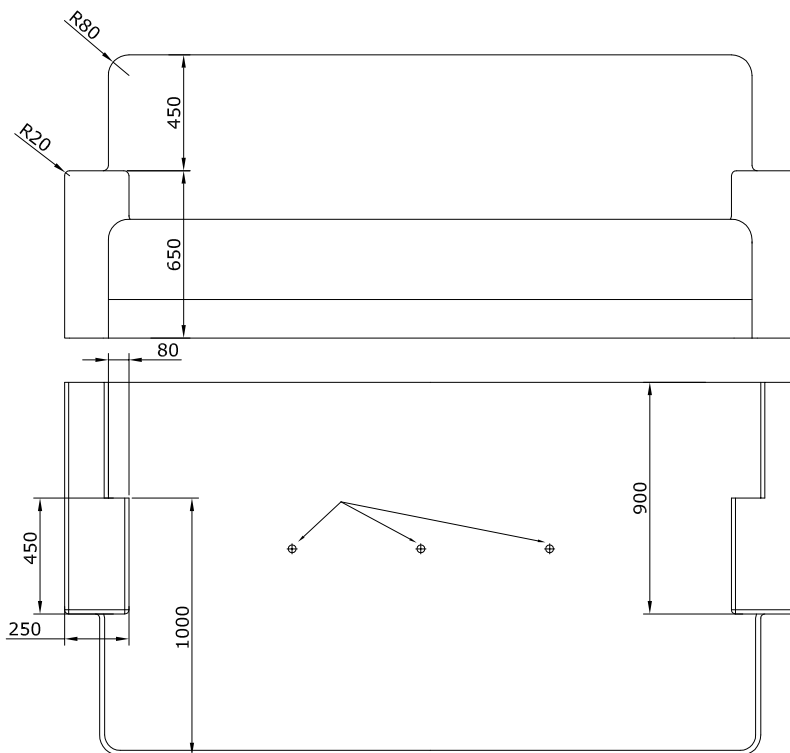


Benches

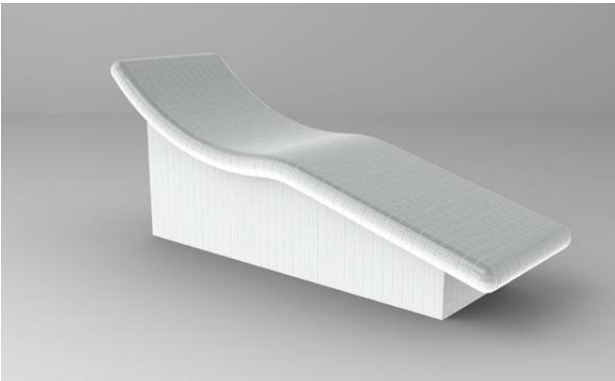
SMBR Relax



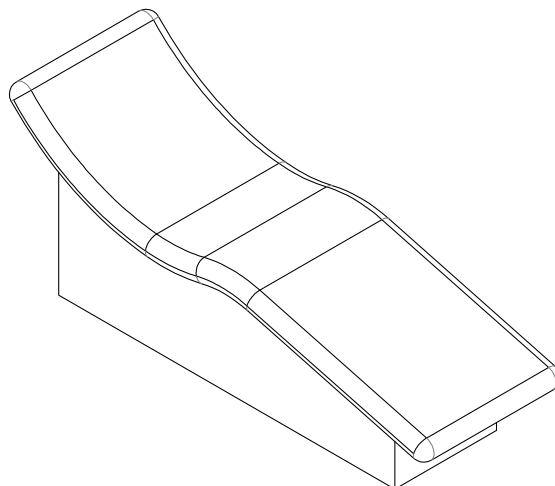
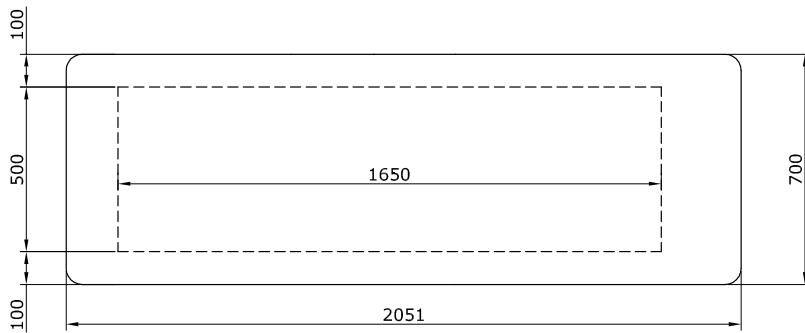
Relax bench – We produce benches with different profiles for several purposes. Benches can also be ordered according to dimensions provided by the client. Our benches help you relax and are of extraordinary design. You can use them indoors or outdoors – in garden, terrace or by the pool.



SMBS Sleep

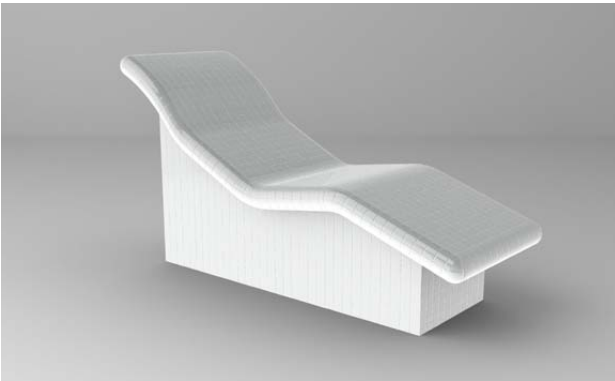


Sleep bench – We produce benches with different profiles for several purposes. Benches can also be ordered according to dimensions provided by the client. Our benches help you relax and are of extraordinary design. You can use them indoors or outdoors – in garden, terrace or by the pool.

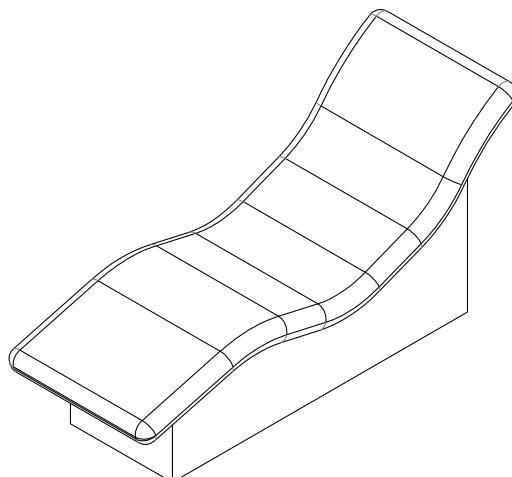
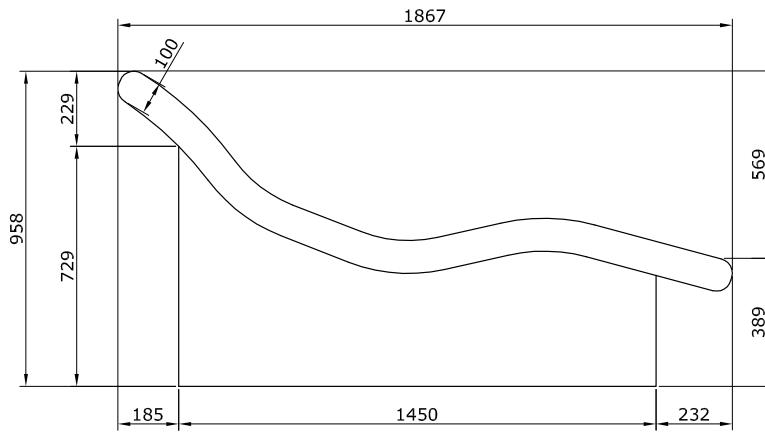
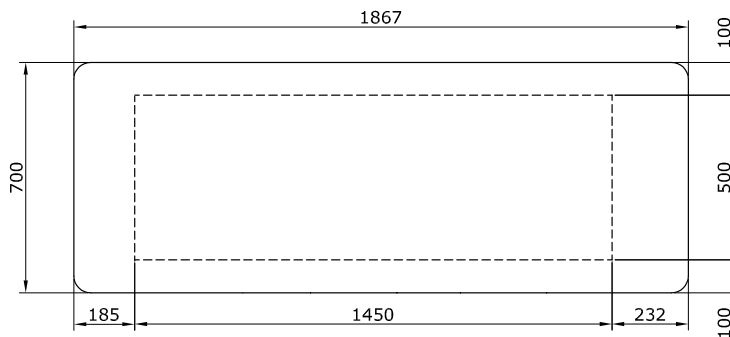


SMBC

Couche



Couche bench – We produce benches with different profiles for several purposes. Benches can also be ordered according to dimensions provided by the client. Our benches help you relax and are of extraordinary design. You can use them indoors or outdoors – in garden, terrace or by the pool.



Doors for steam rooms

- SMD Standard door
- SMDC Cupola curved door
- SMDCD Cupola double curved door

Tempered glass and high quality aluminum frames are used for the production of sauna doors. Aluminum frames are very strong and do not rust. The doors can be used as right-handed or left handed and the handedness can be changed upon request. Glass thickness is 8 mm.

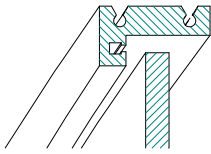
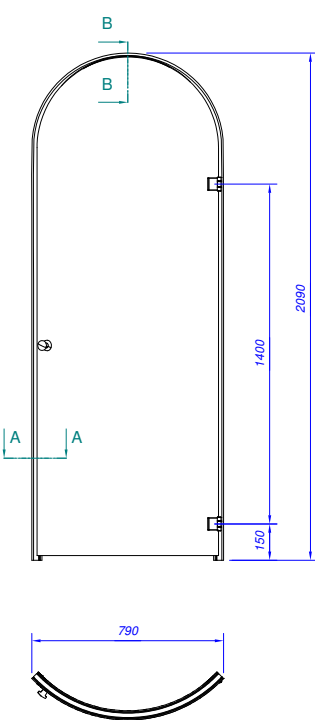
Standard door



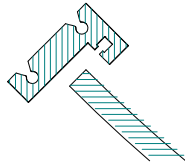
Cupola curved door



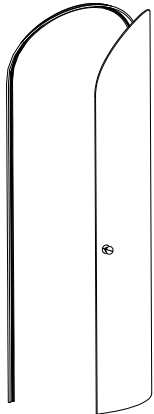
Cupola double curved door



Section B-B



Section A-A





HARVIA

Contact information:
Harvia Ltd., P.O. Box 12, FI-40951 Muurame, FINLAND
Tel. +358 207 464 000, Fax +358 207 464 090
harvia@harvia.fi, www.harviasauna.com

Local dealer:

01/2015