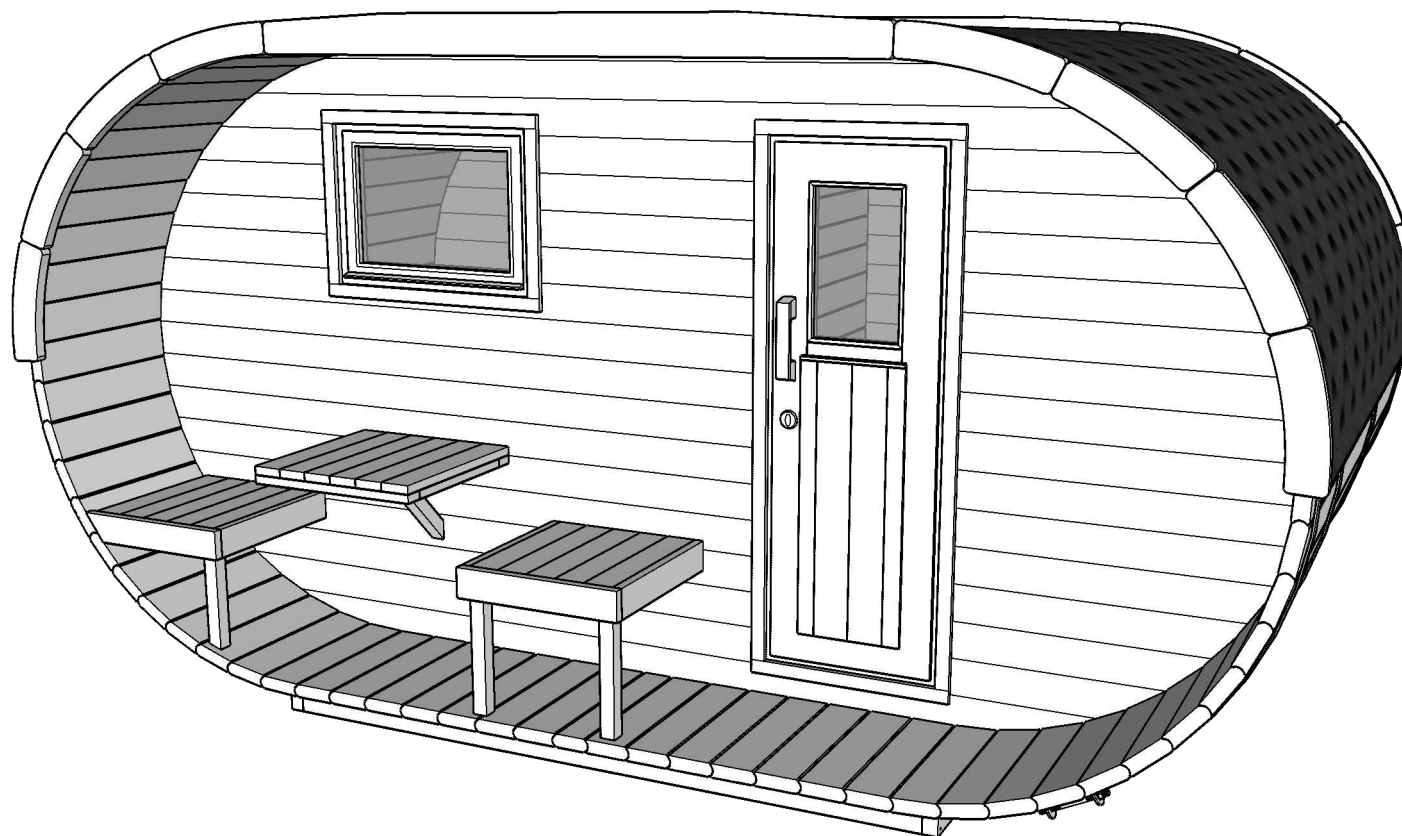


Sauna Oval 4 x 2,4 OV-001

(TU003)

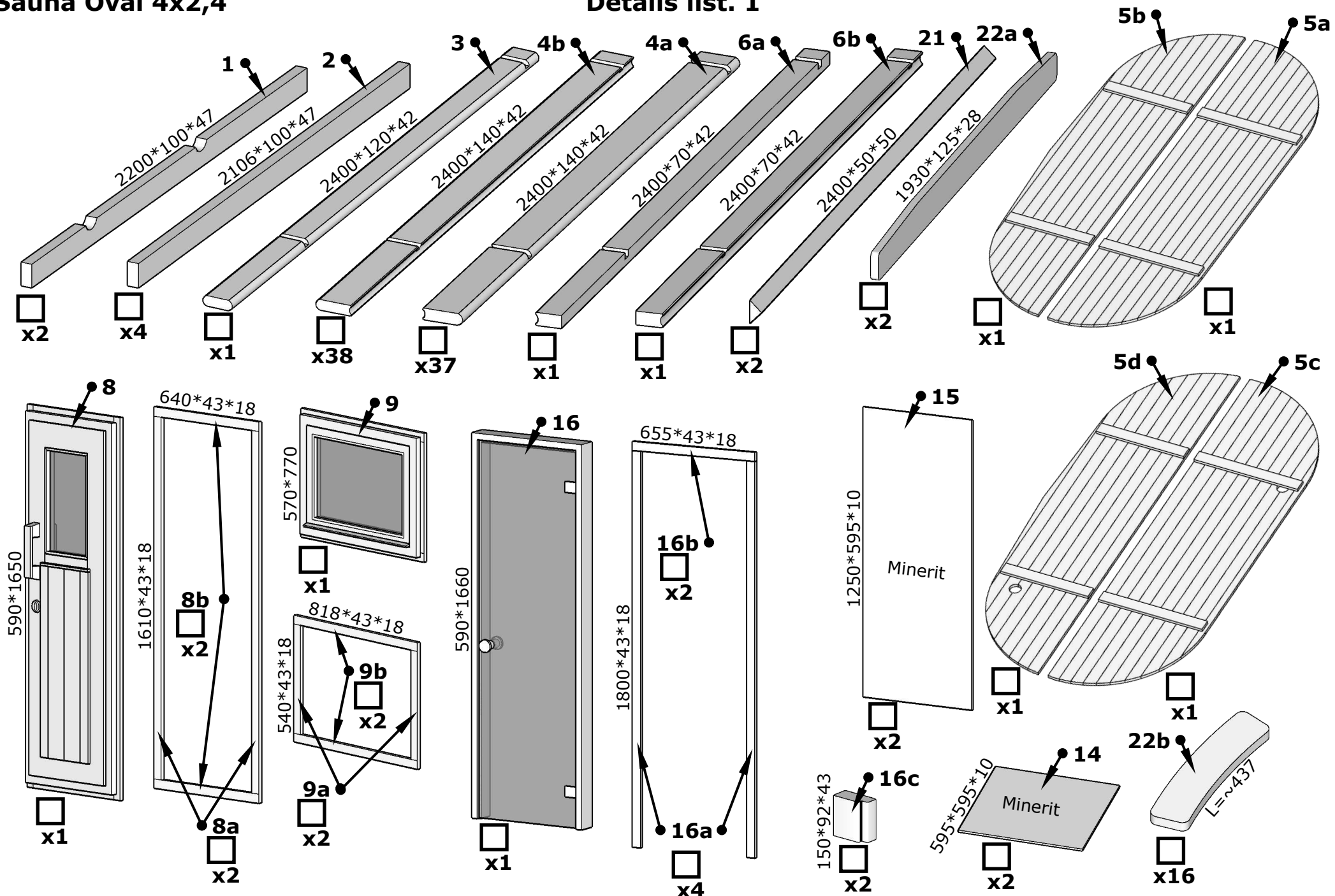
**Please read the whole manual
before You start.**

All given measurements are in millimeters.



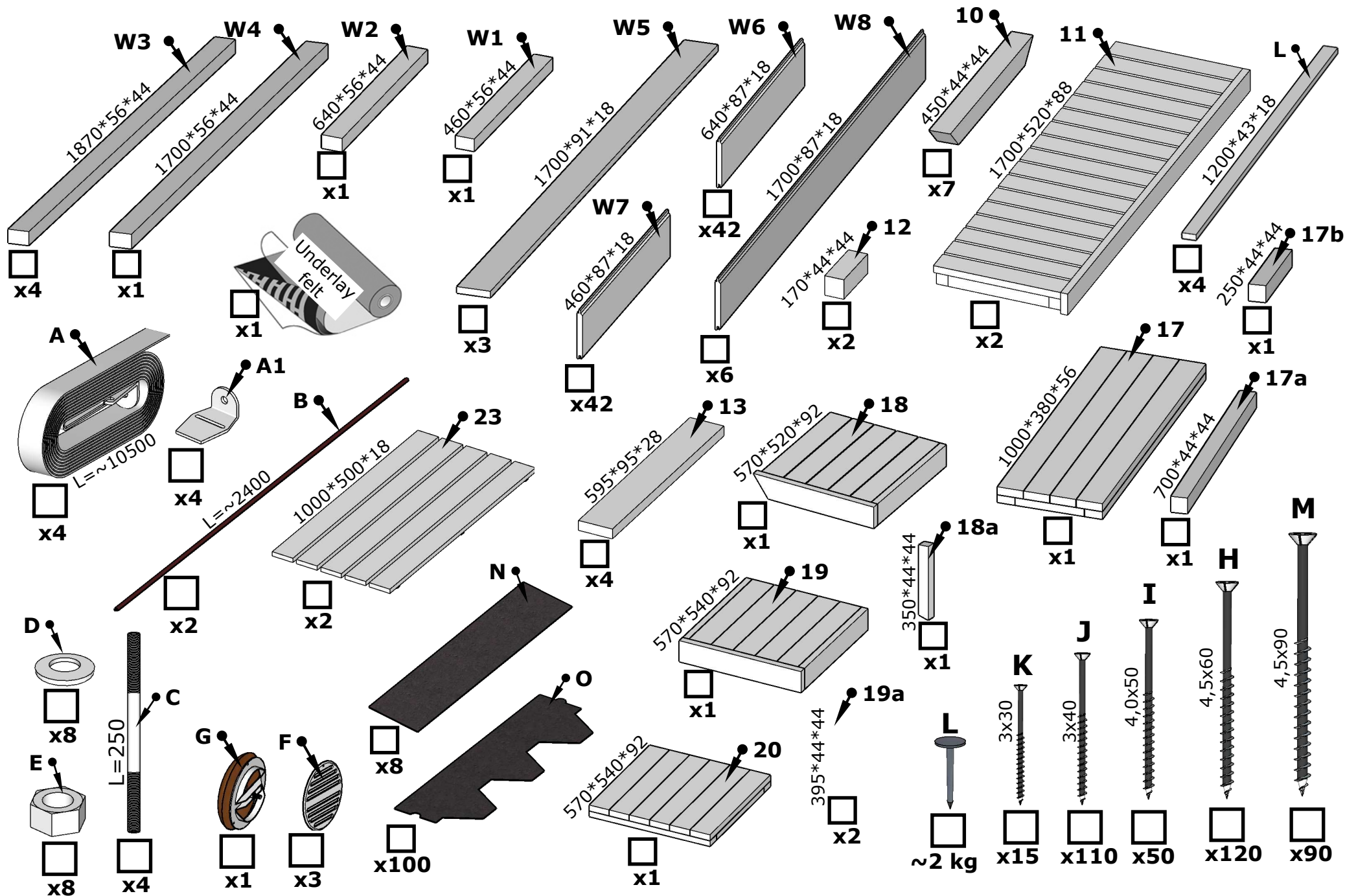
Sauna Oval 4x2,4

Details list. 1

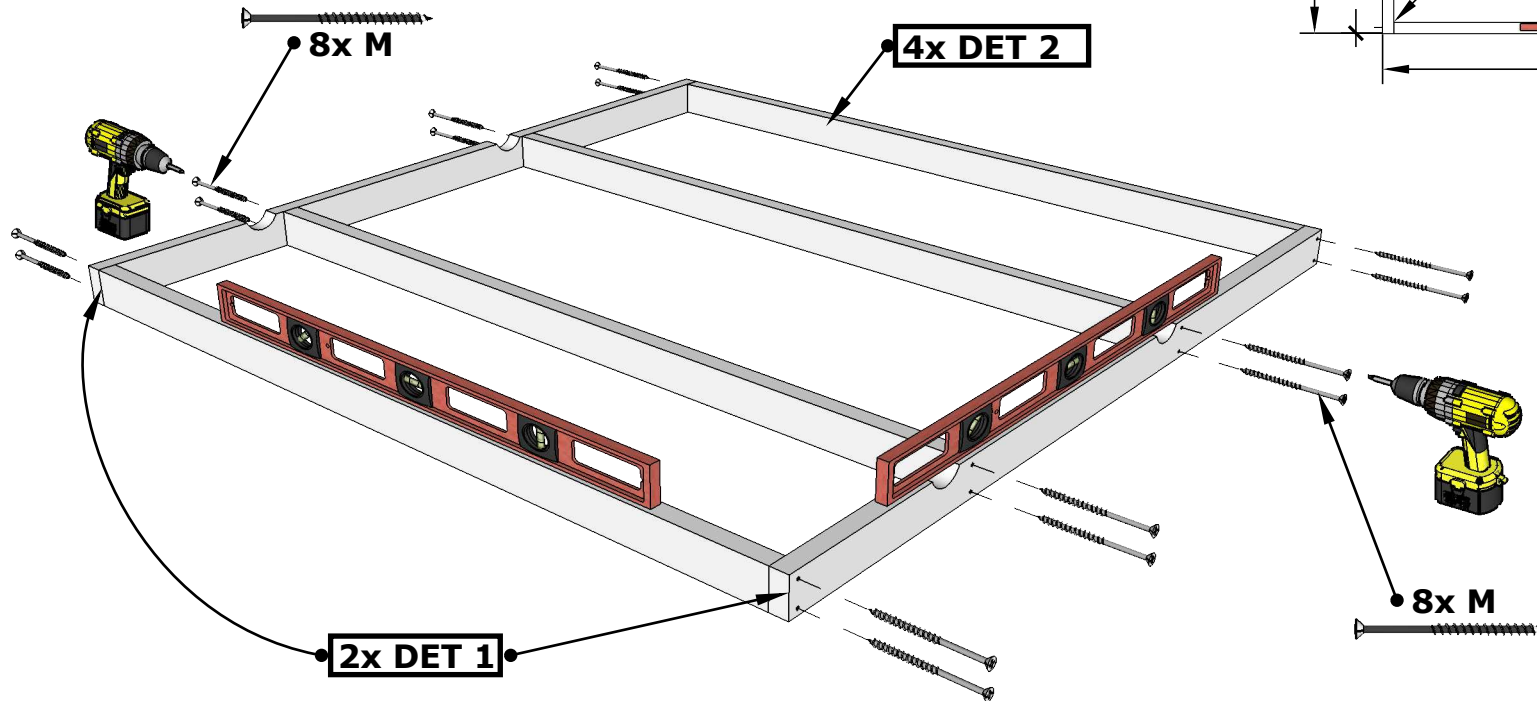
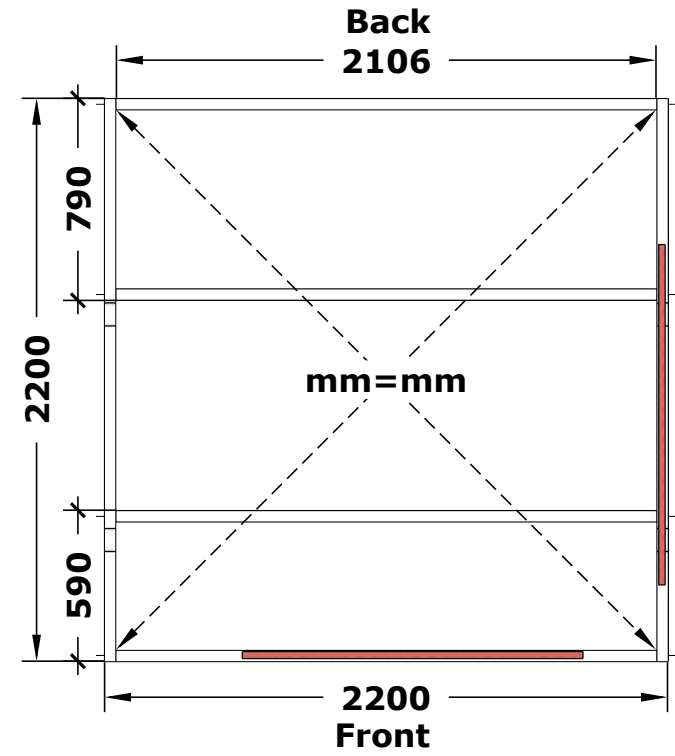
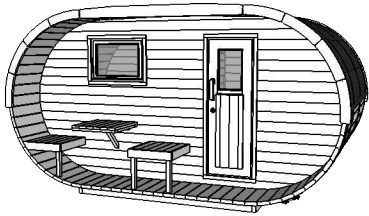


Sauna Oval 4x2,4

Details list. 2

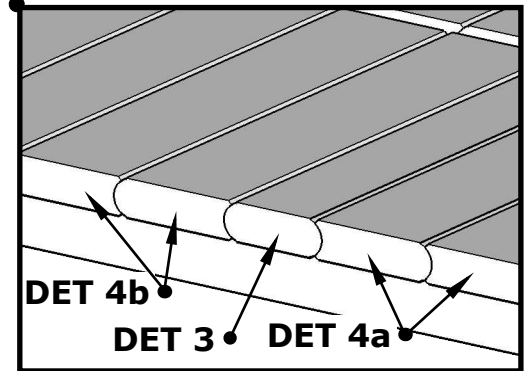
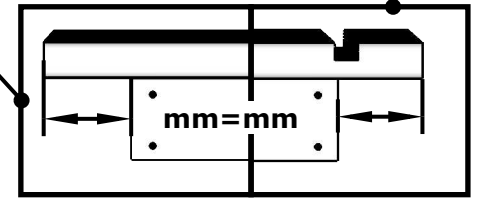
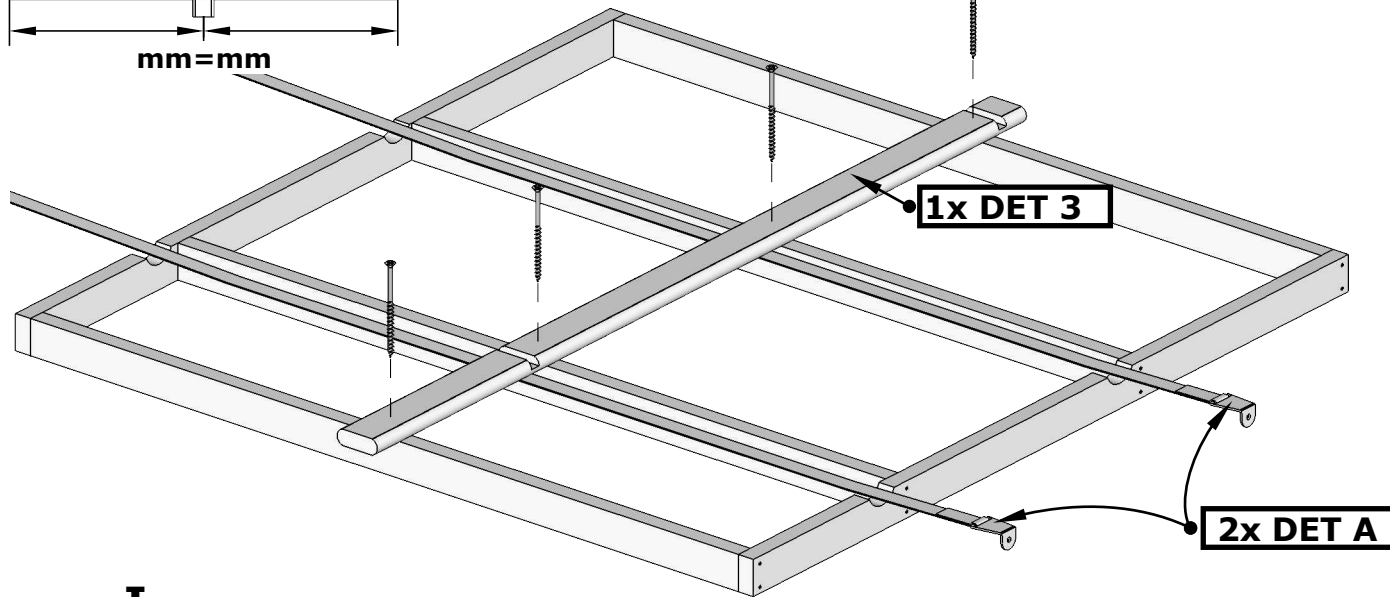
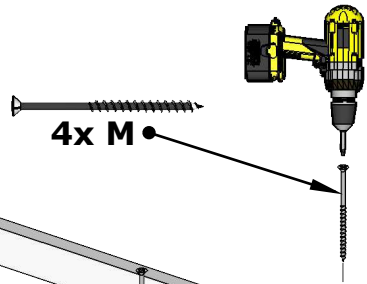
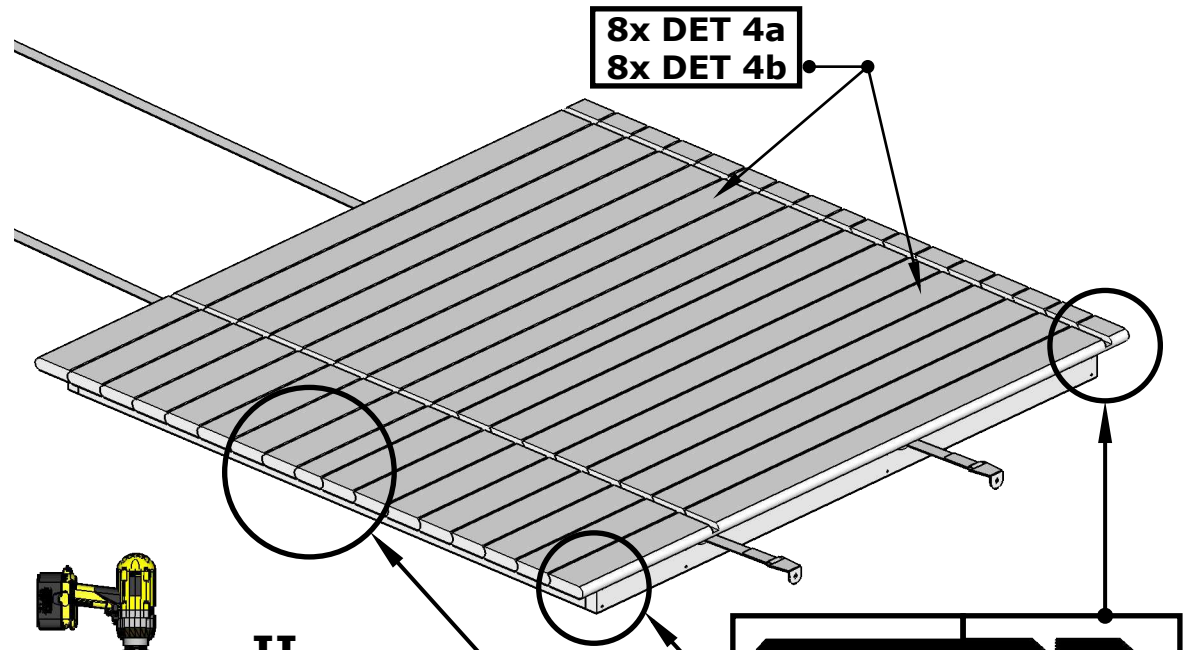
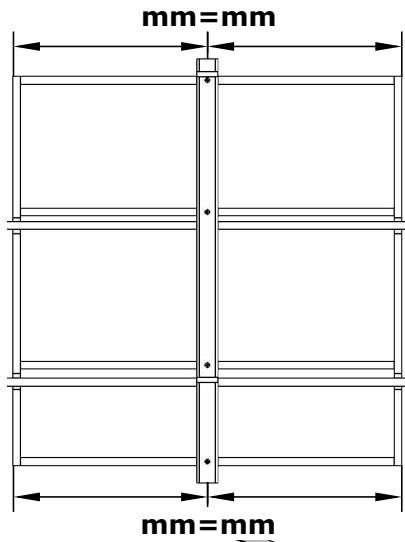
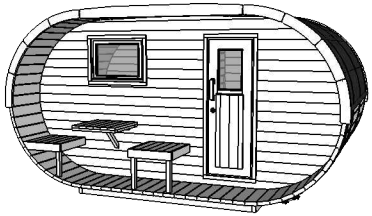


Sauna Oval 4 x 2,4



1.

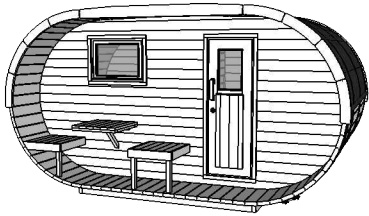
Sauna Oval 4 x 2,4



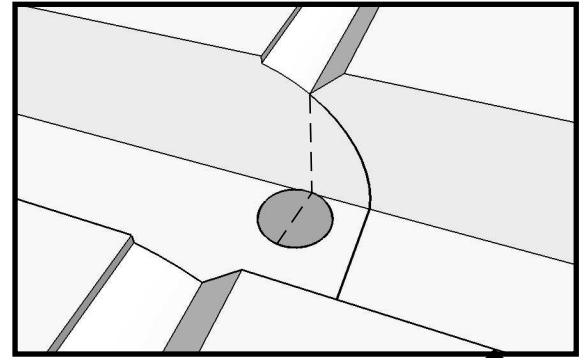
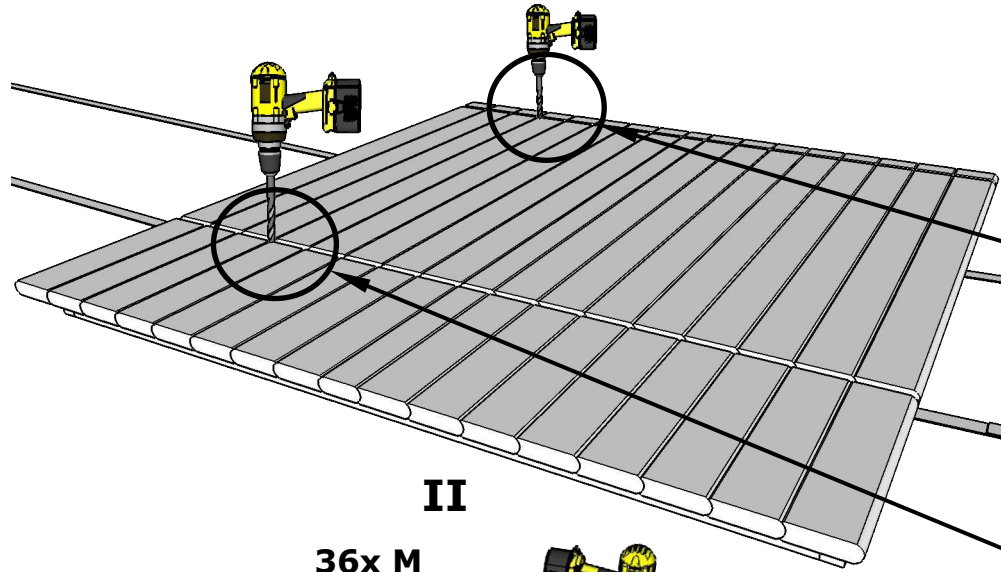
2.

I

Sauna Oval 4 x 2,4

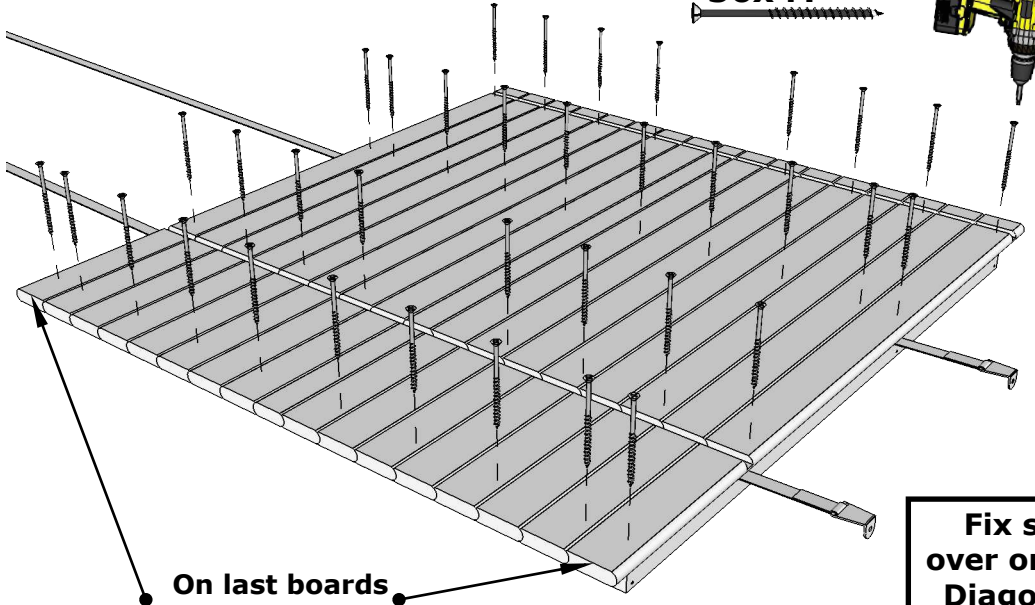
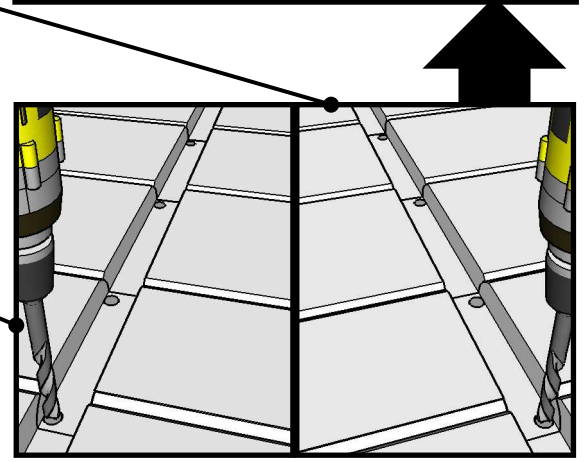


Drill Hole Ø10 in every board, outside.



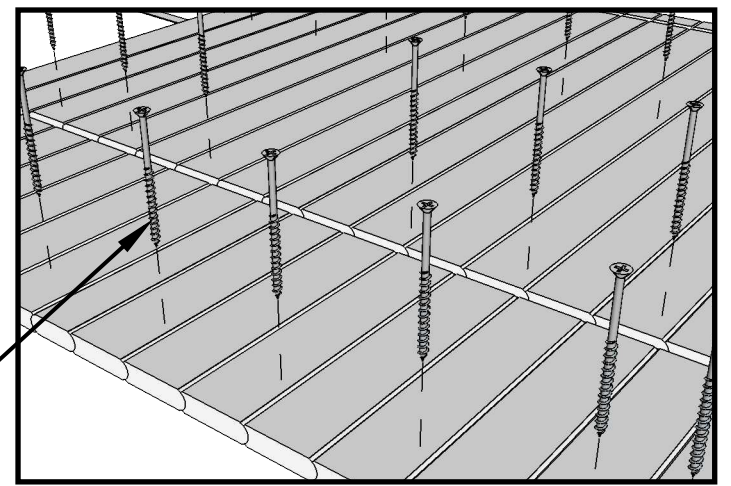
II

36x M



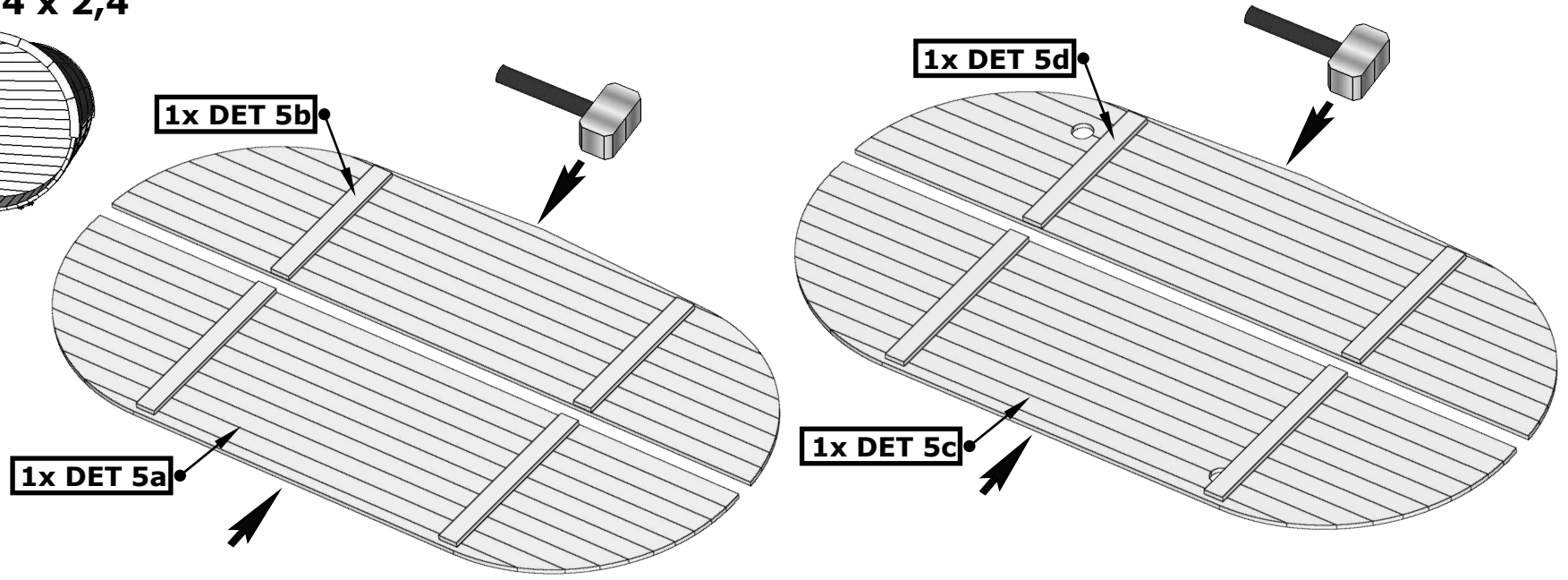
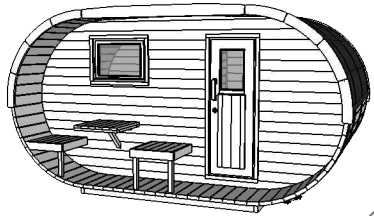
On last boards use 4 screws

Fix screws over one board!
Diagonally on every board!

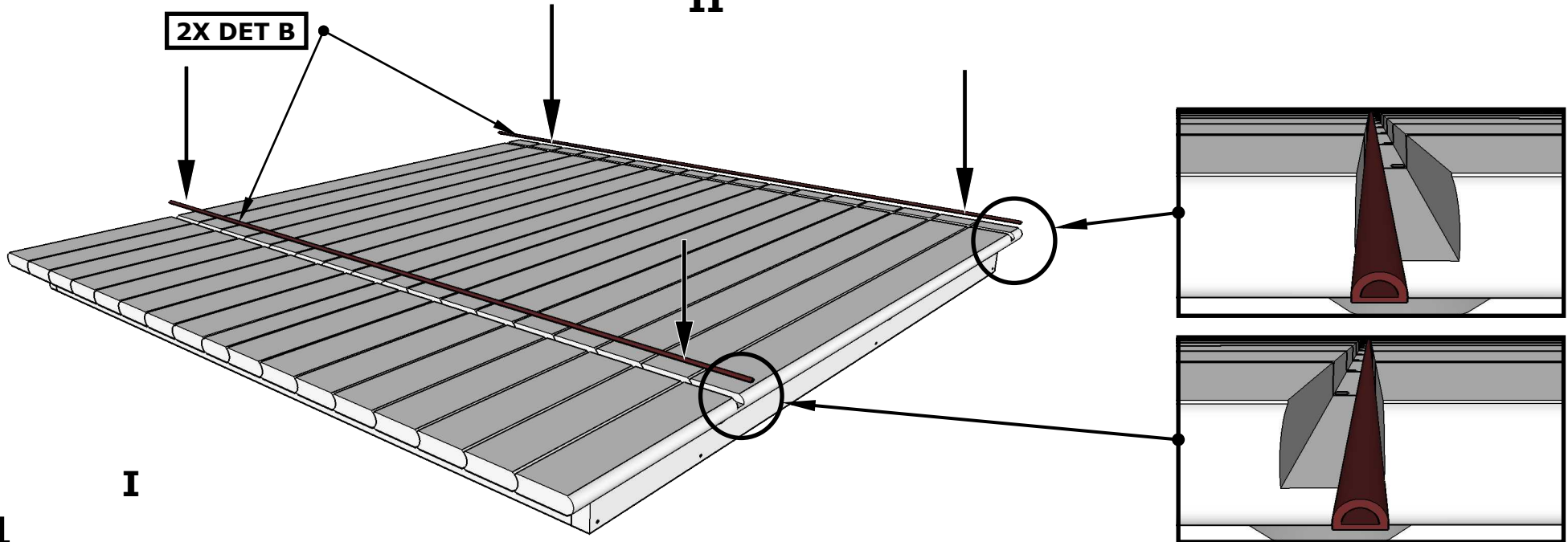


3. I

Sauna Oval 4 x 2,4

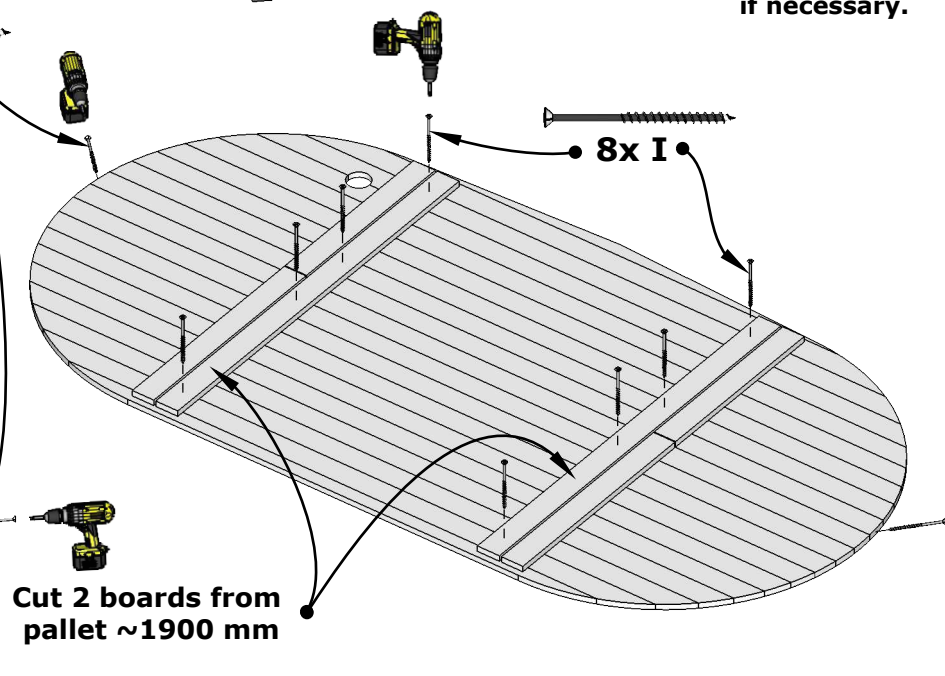
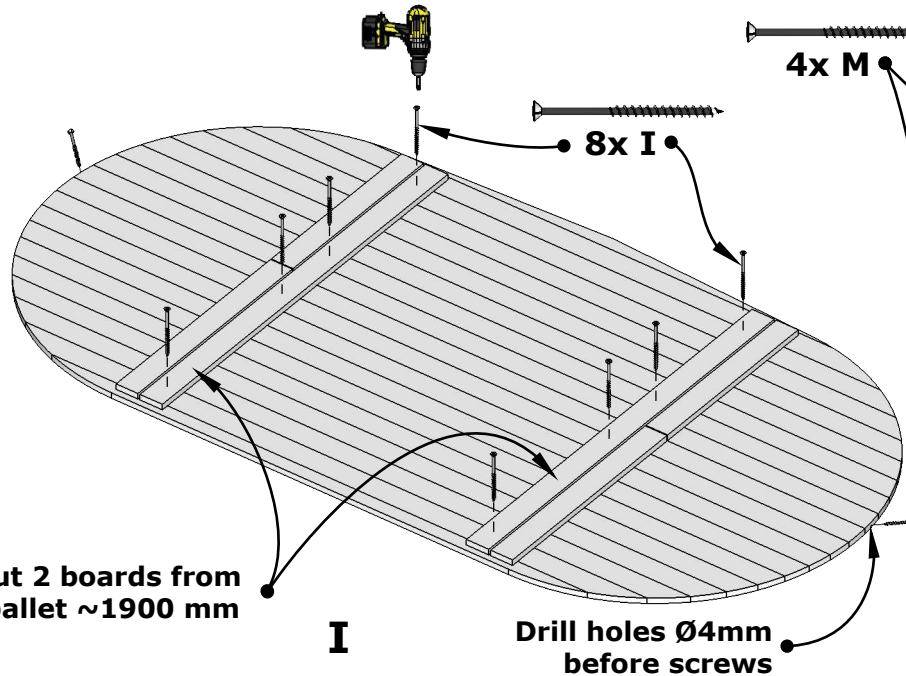
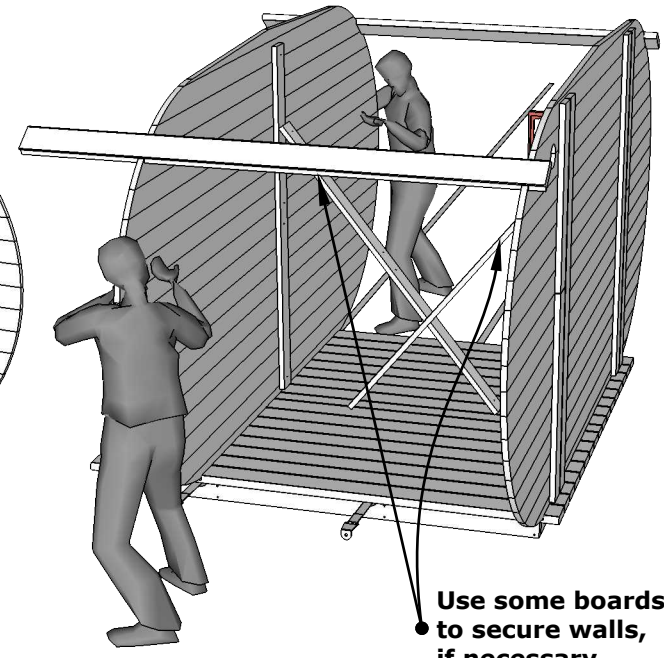
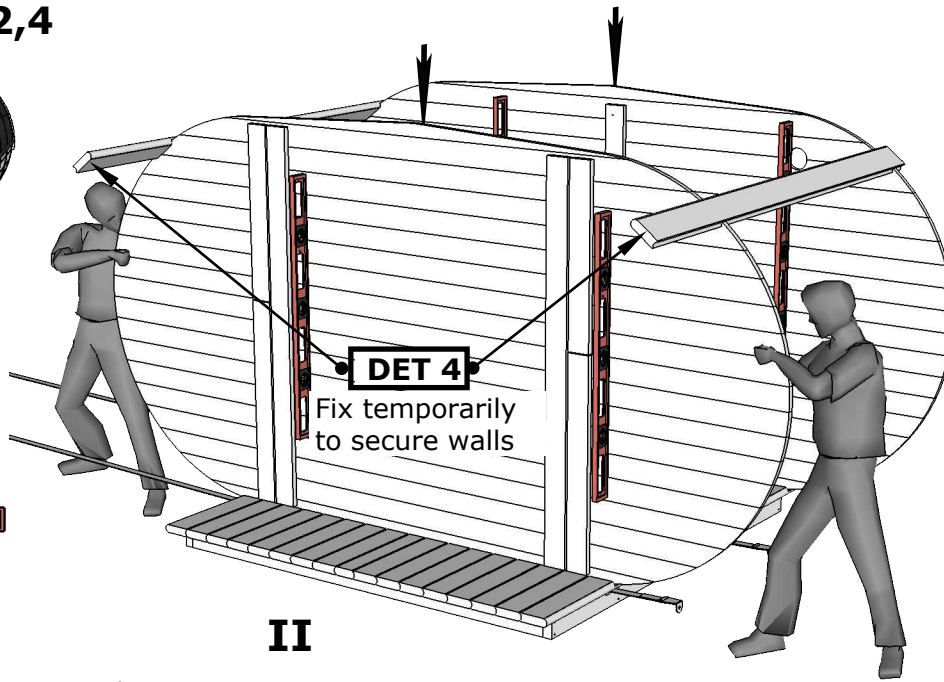
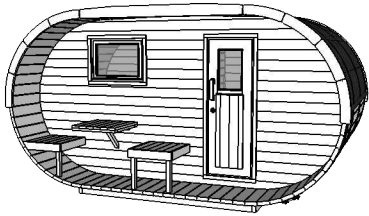


II



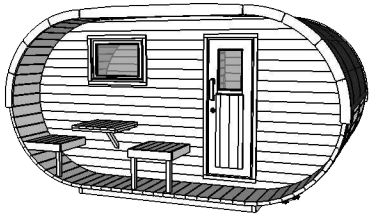
4.

Sauna Oval 4 x 2,4

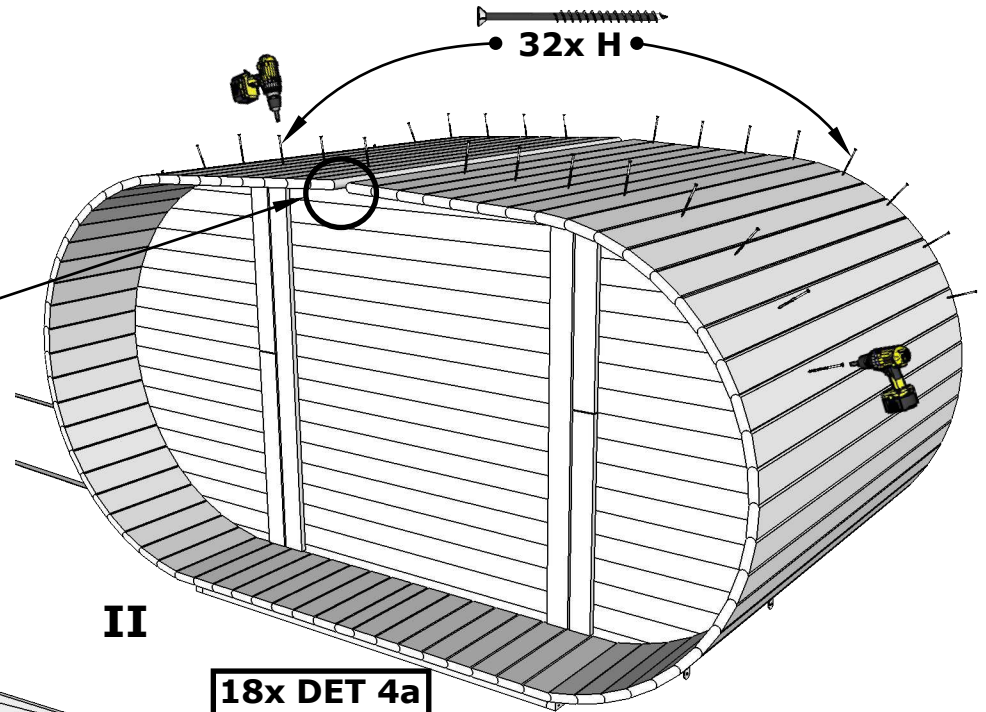
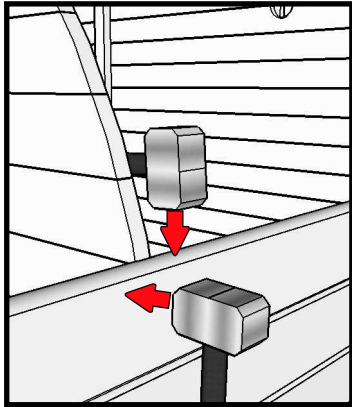
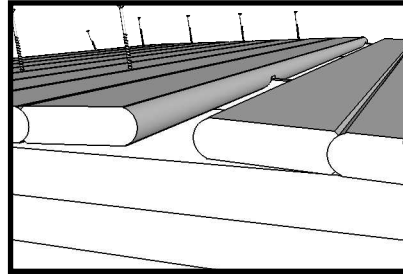


5.

Sauna Oval 4 x 2,4

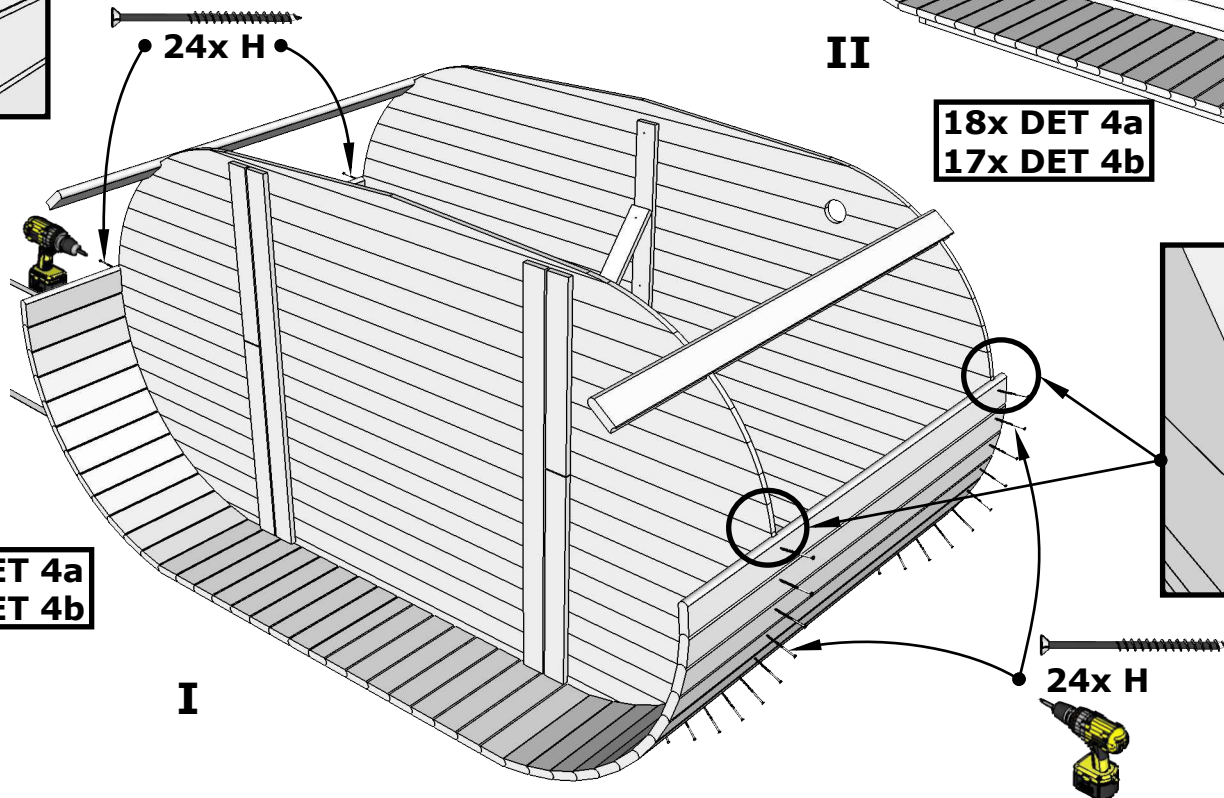


Watch Page 7



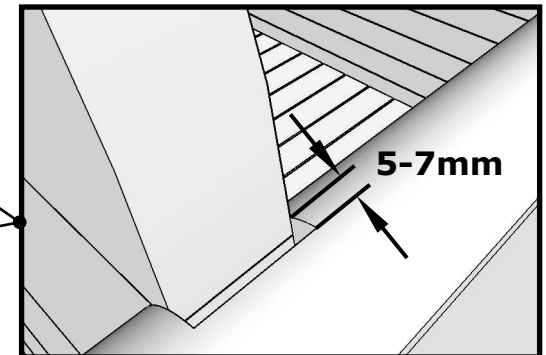
II

18x DET 4a
17x DET 4b



12x DET 4a
12x DET 4b

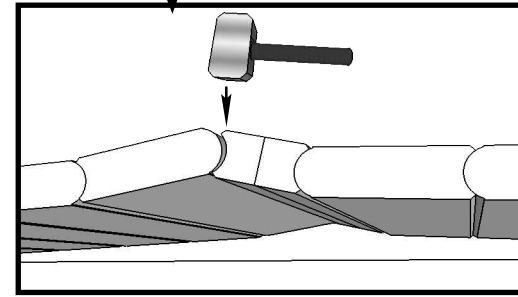
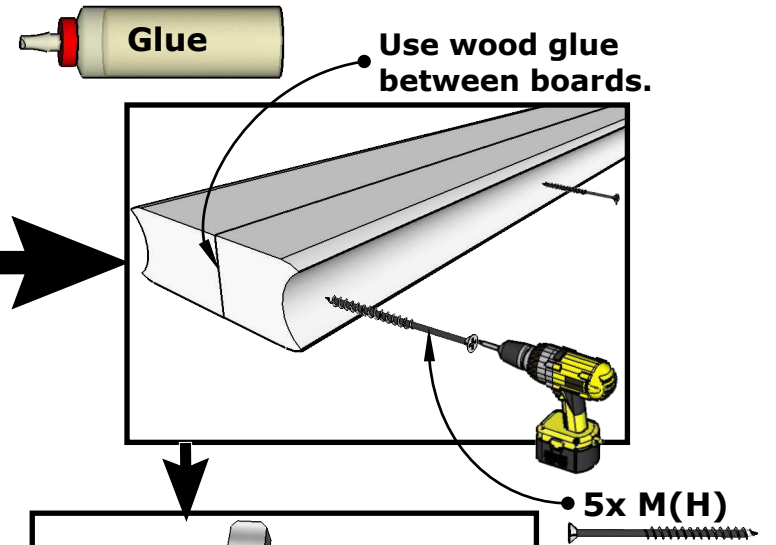
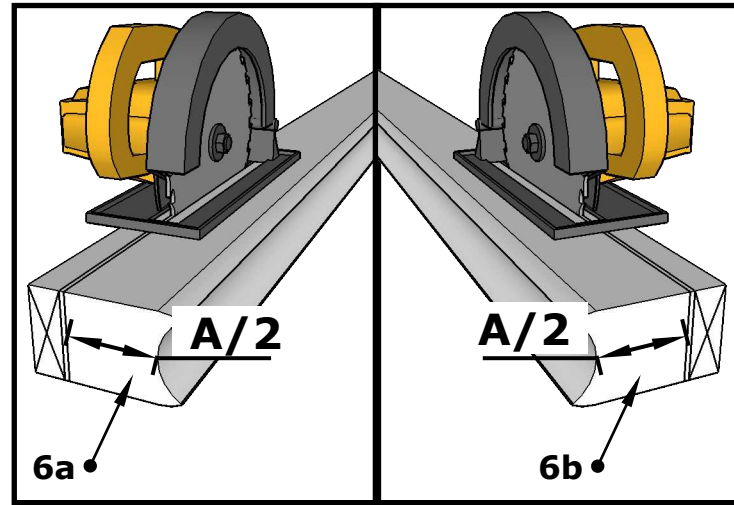
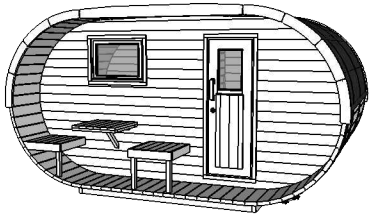
I



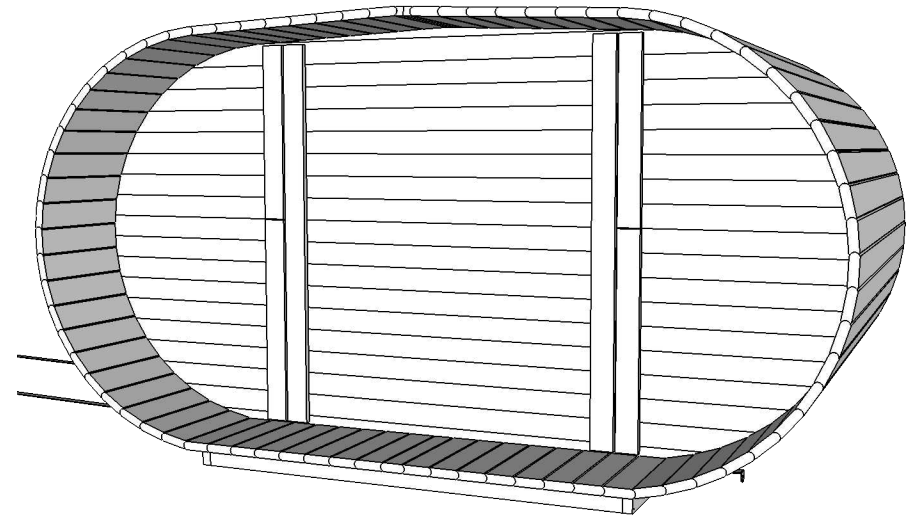
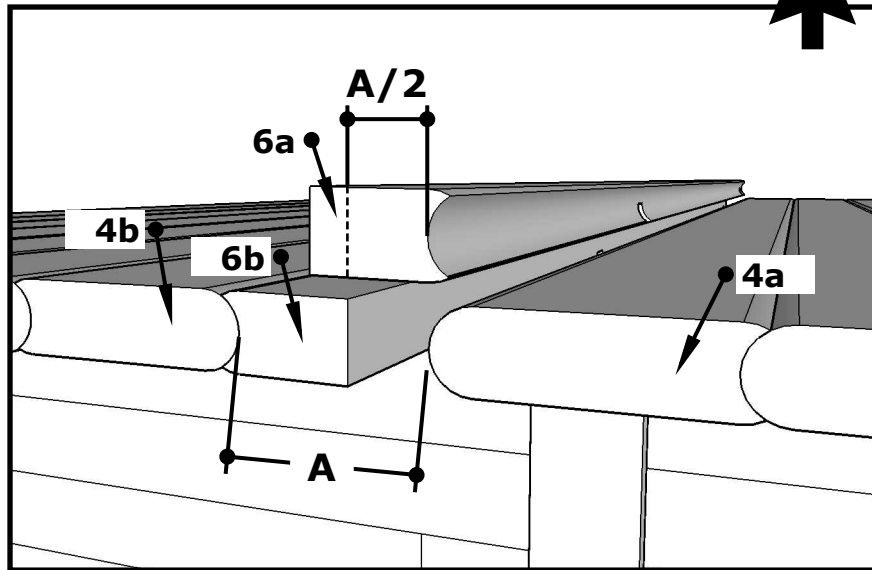
NB! Don't leave space, if using thermal wood!!!

6.

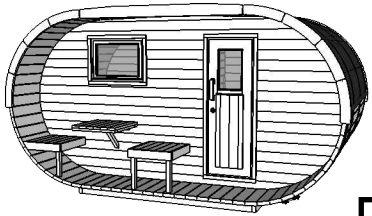
Sauna Oval 4 x 2,4



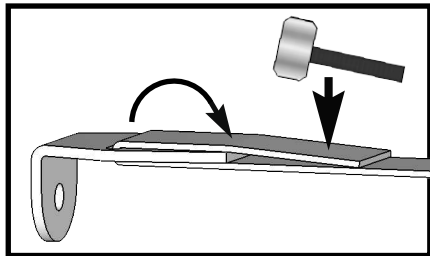
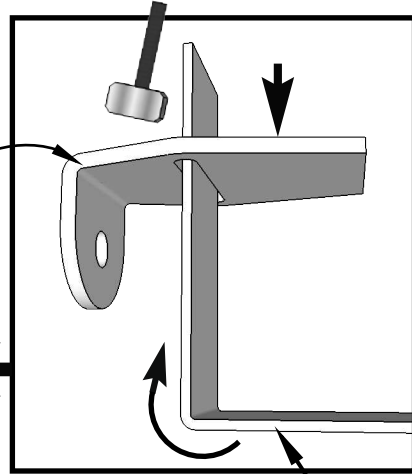
Important!!!



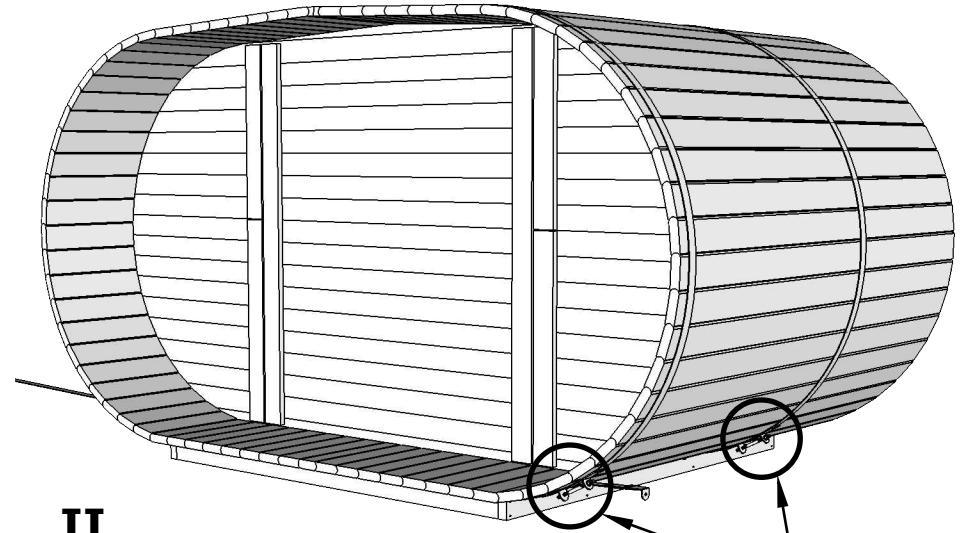
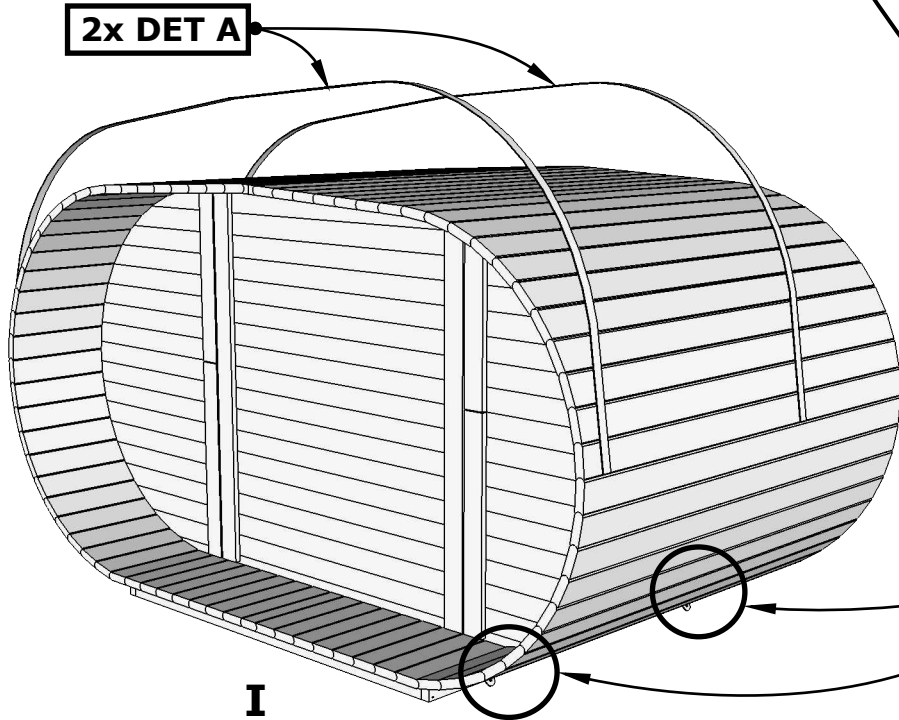
Sauna Oval 4 x 2,4



DET A1

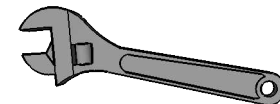
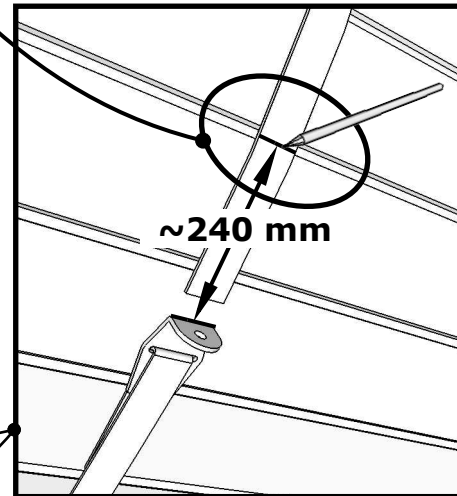
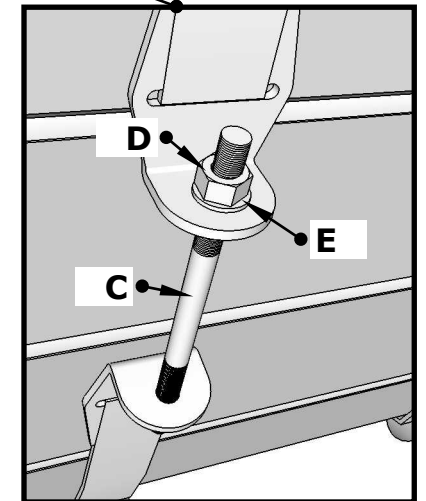


2x DET A



II

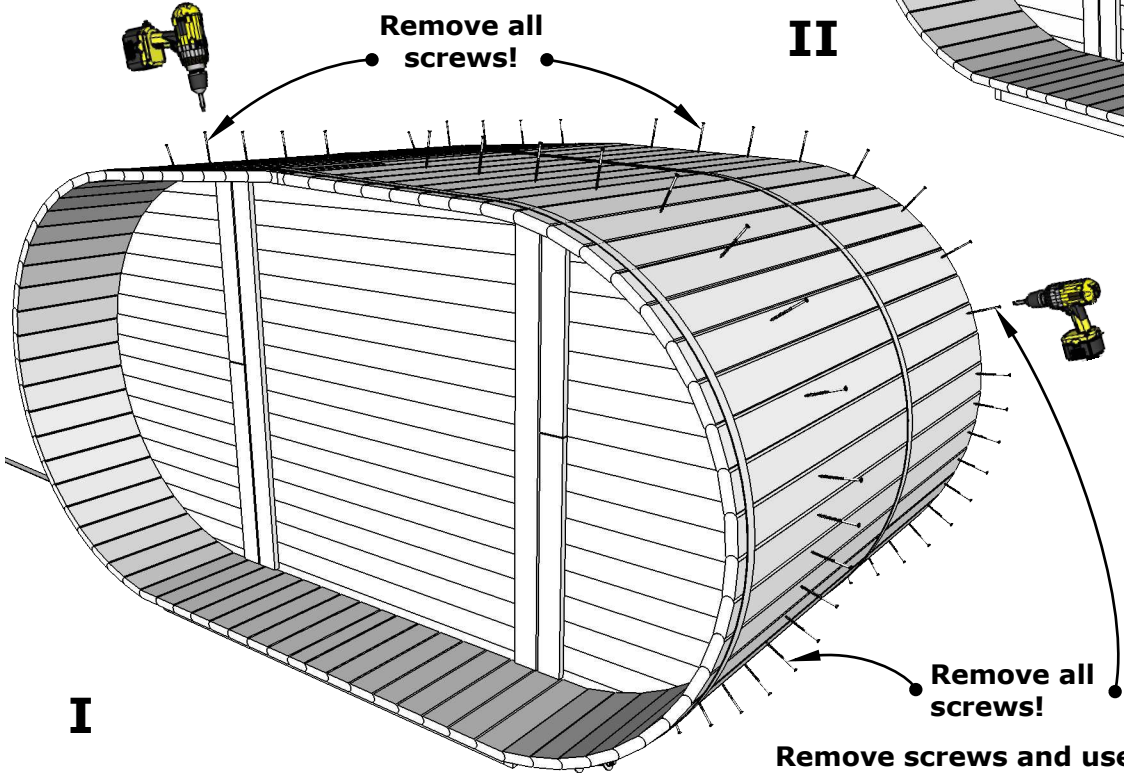
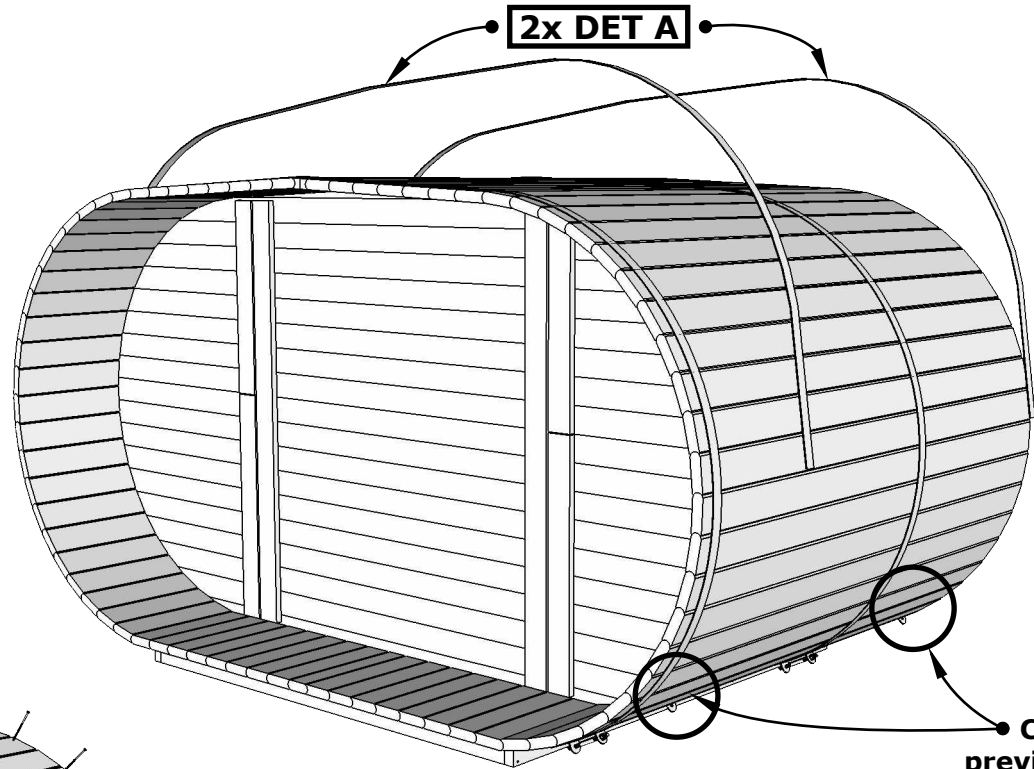
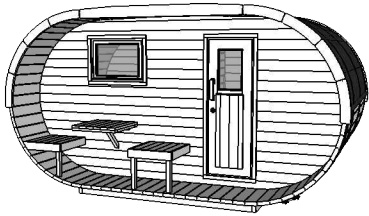
During assembly and retightening the threaded rods, use oil (Würth HPS 1400 or similar) to avoid "cold welding" and it is also easier tightening.



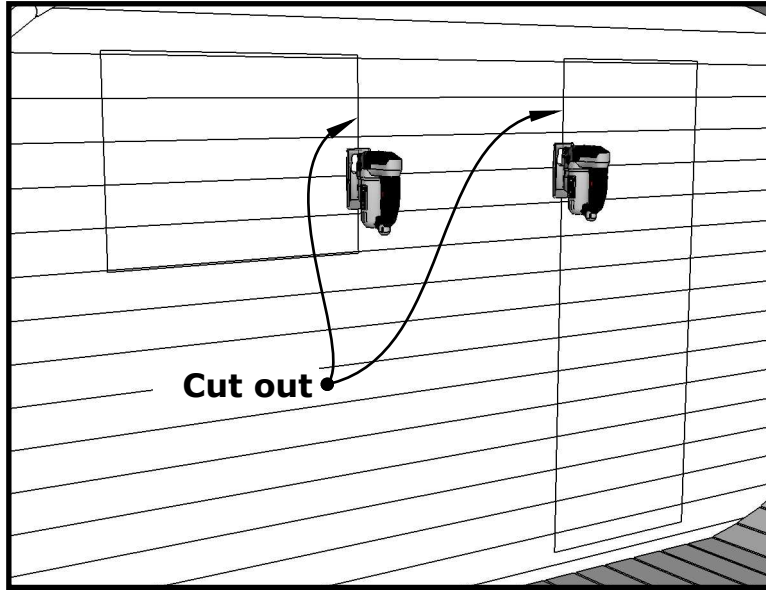
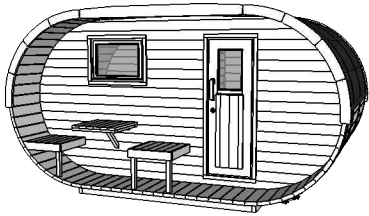
8.

I

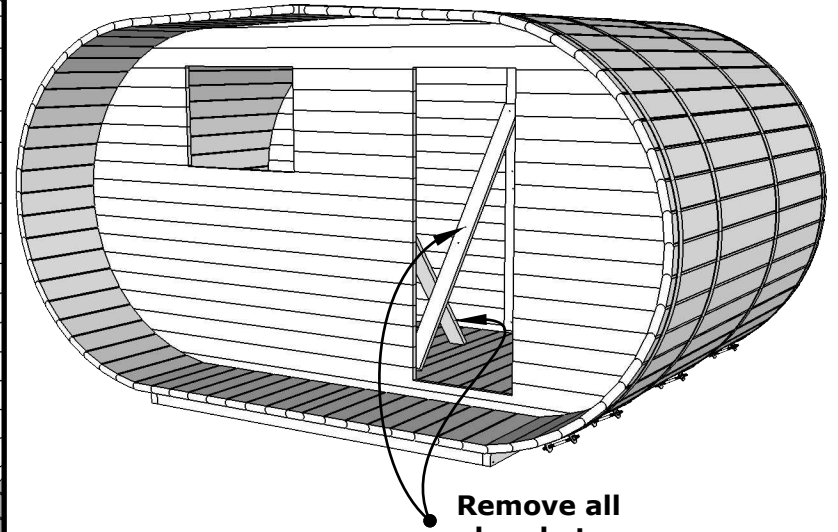
Sauna Oval 4 x 2,4



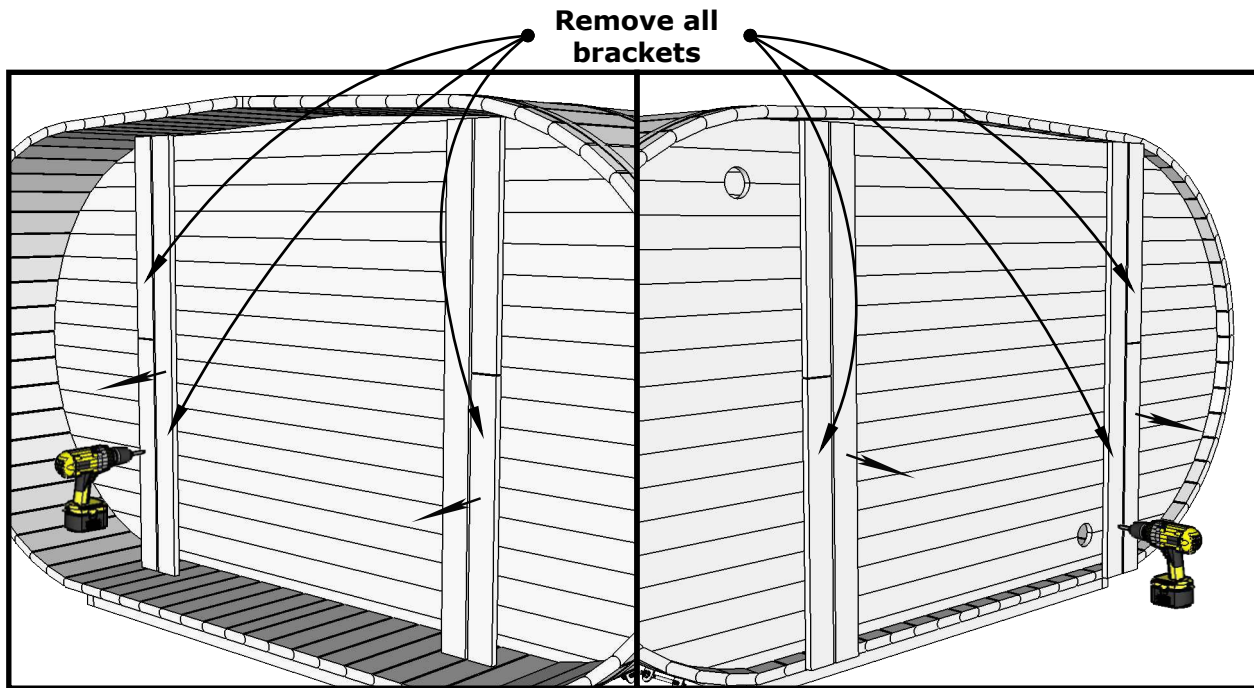
Sauna Oval 4 x 2,4



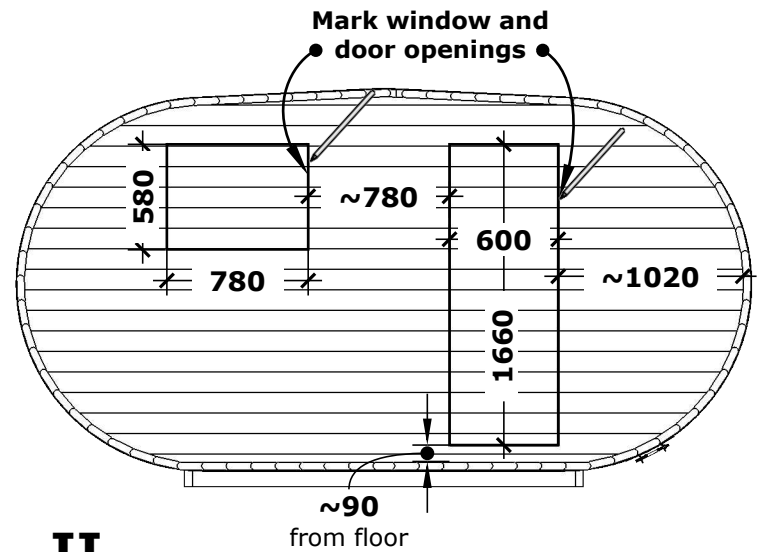
III



IV

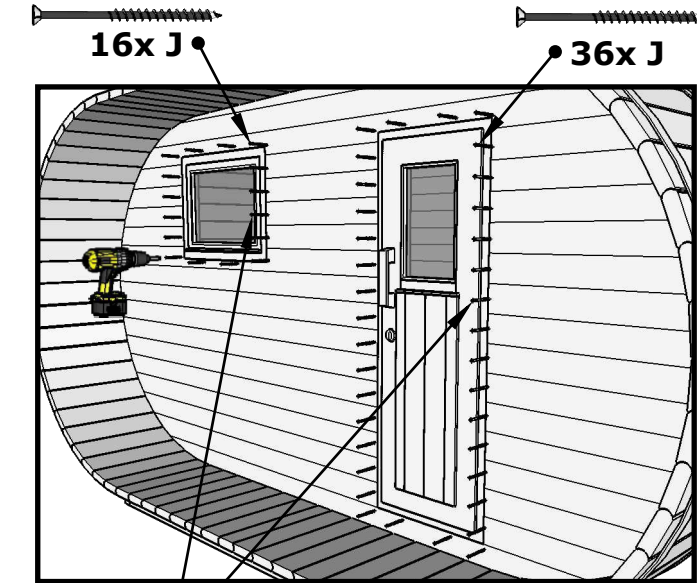
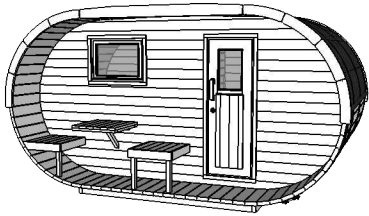


10. I



II

Sauna Oval 4 x 2,4

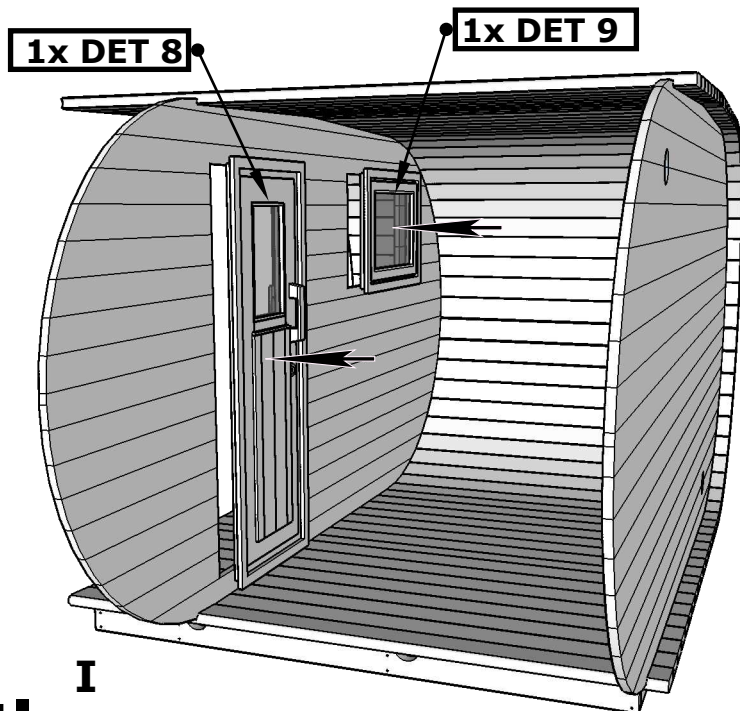


II

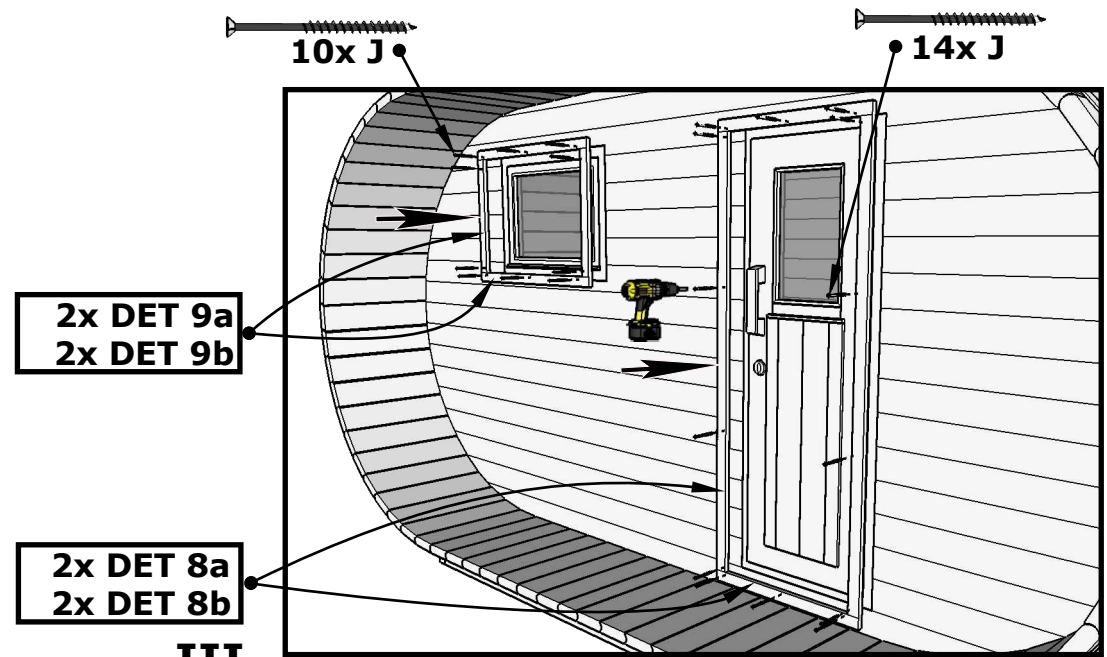
NB! Vertically fix screw in every board.



IV

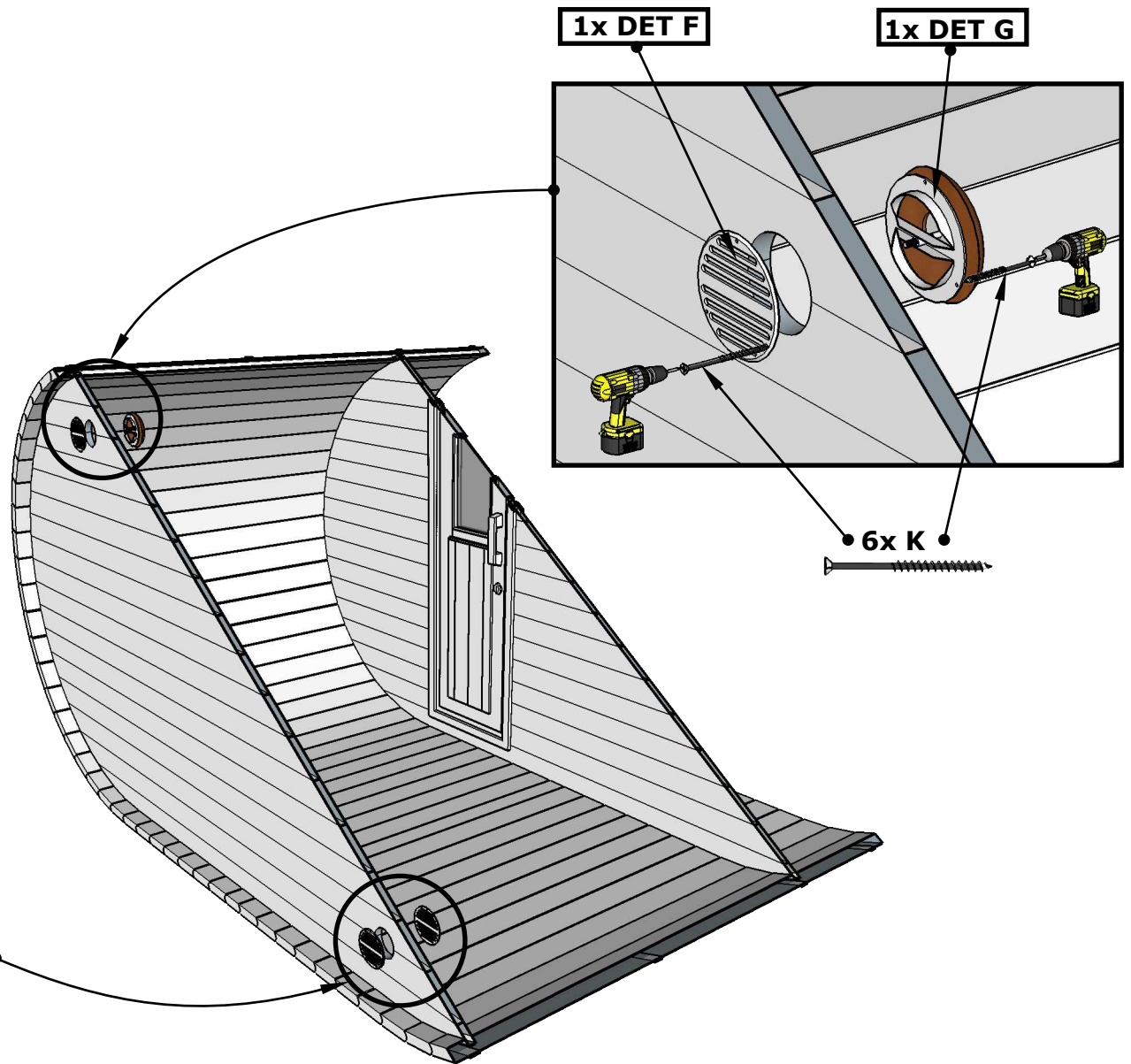
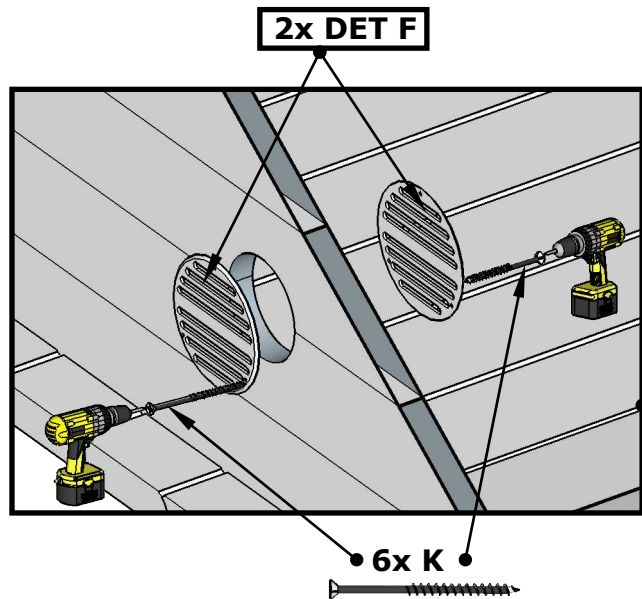
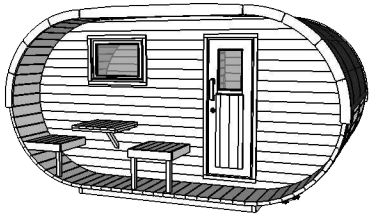


11. I

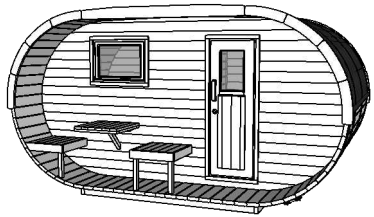


III

Sauna Oval 4 x 2,4



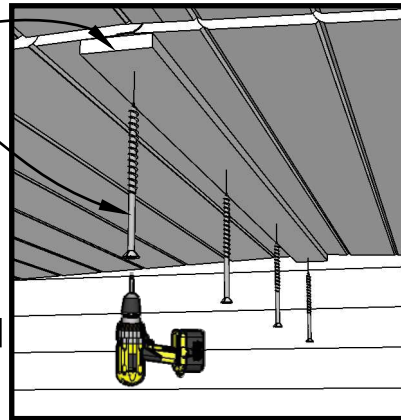
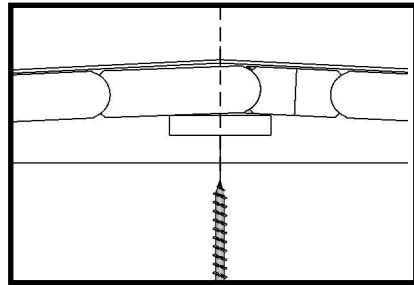
Sauna Oval 4 x 2,4



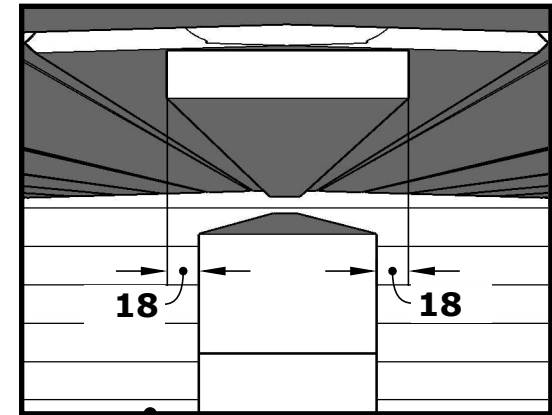
Sauna midpoint

1x DET W5

4x I

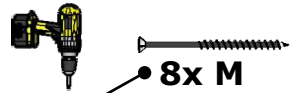


I

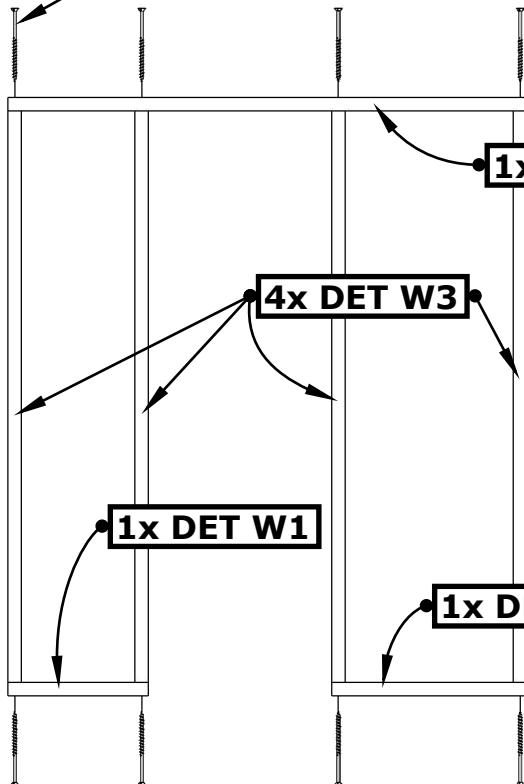


18

18



8x M

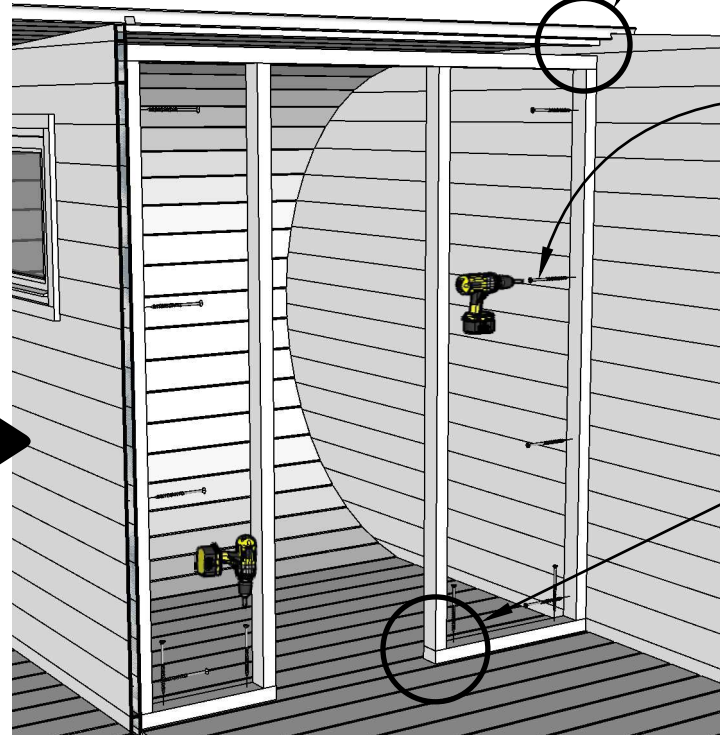
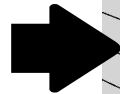


1x DET W4

4x DET W3

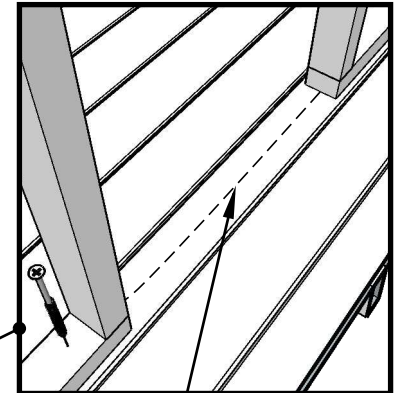
1x DET W1

1x DET W2



III

12x H



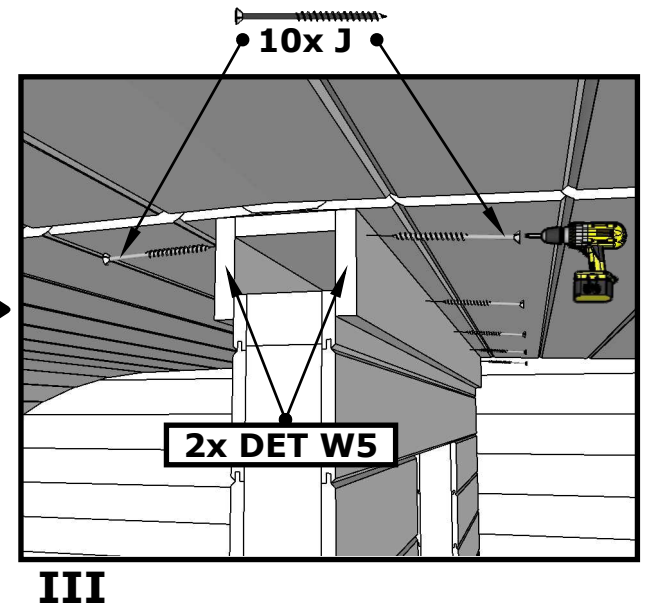
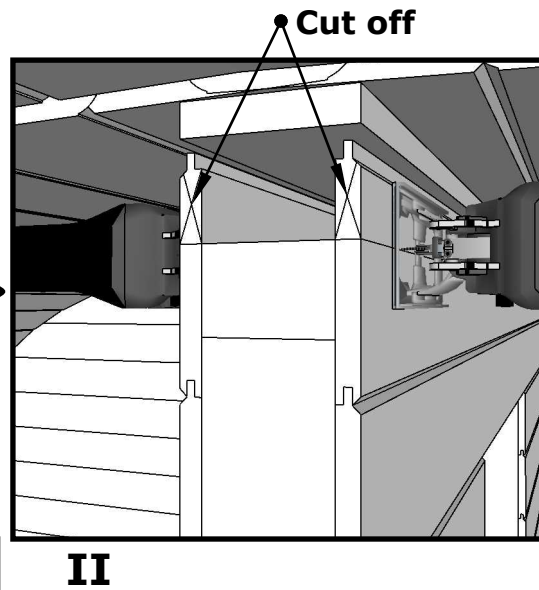
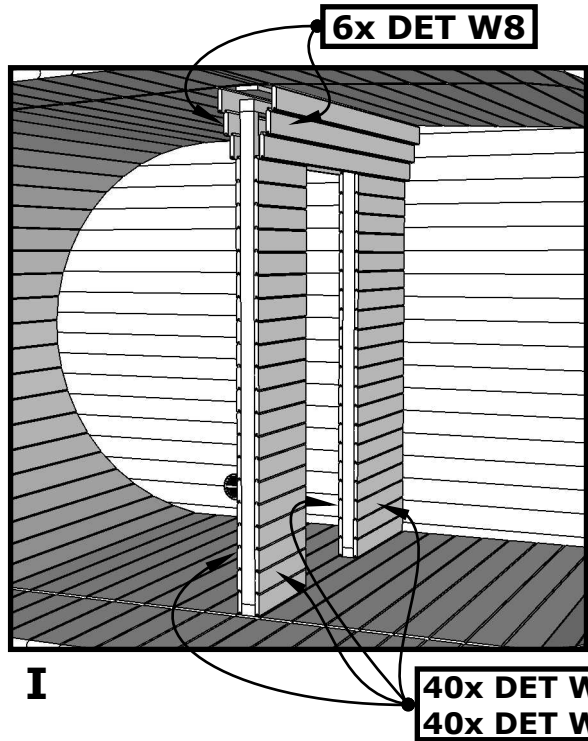
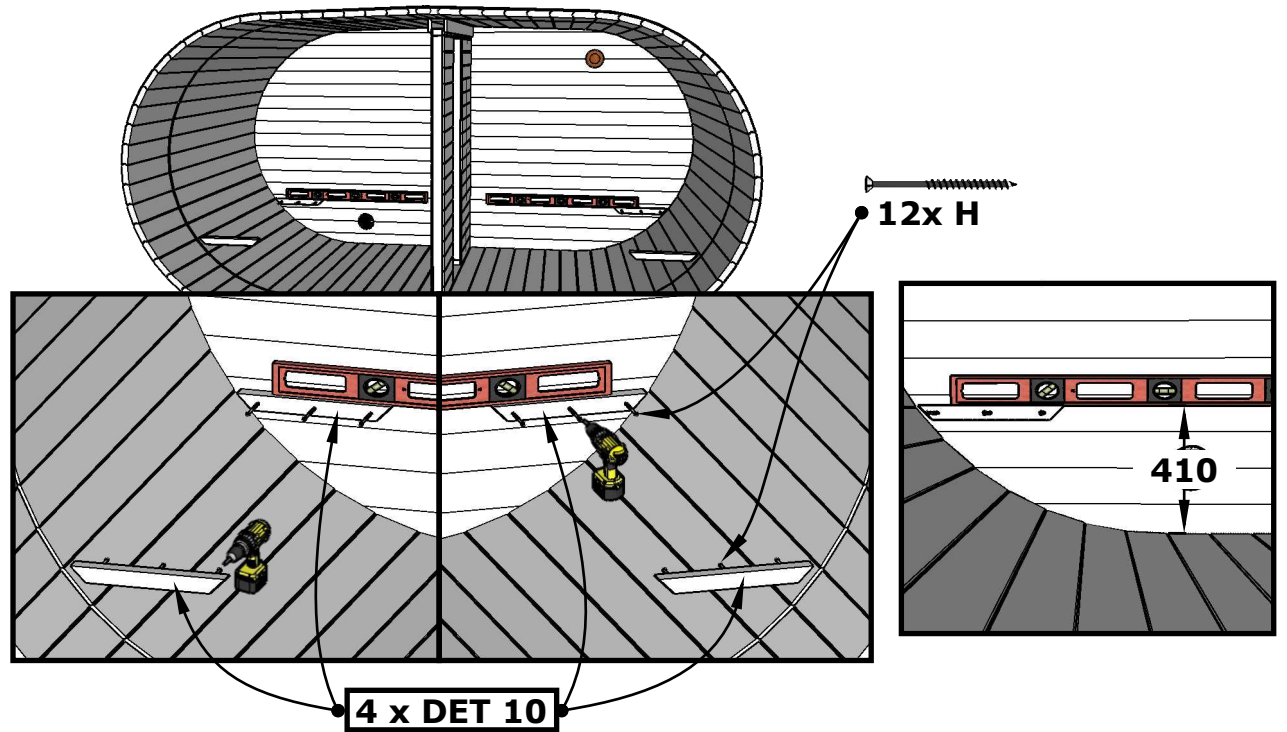
Middle of DET 3 (sauna)

13. II 

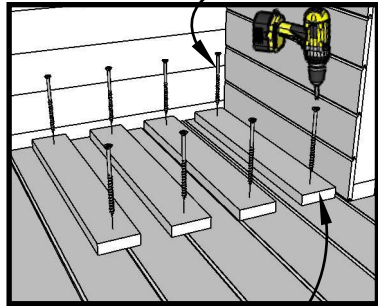
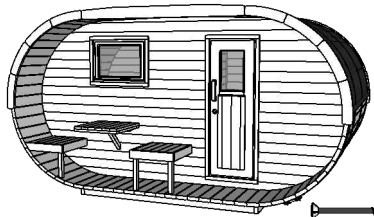
Sauna Oval 4 x 2,4



If Your saunaroom equipped with double decker or L-shape benches, please check extra pages for installation.

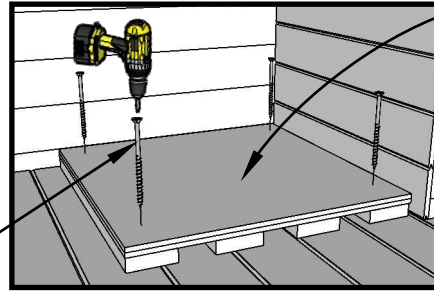


Sauna Oval 4 x 2,4

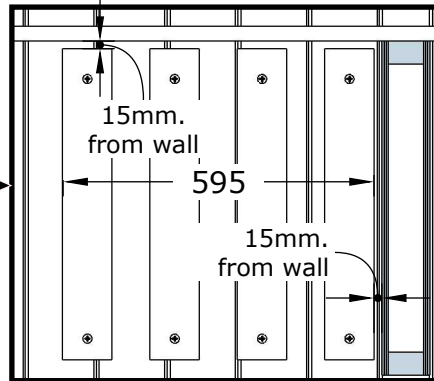


II 4x DET 13

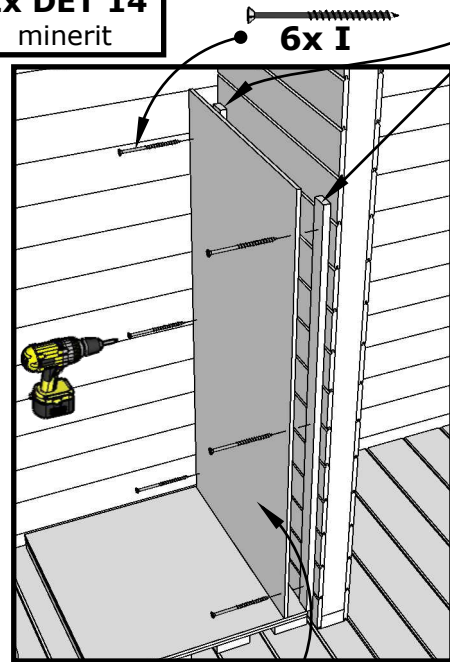
If your saunaroom is equipped with double decker or L-shape benches, please check extra pages for installation.



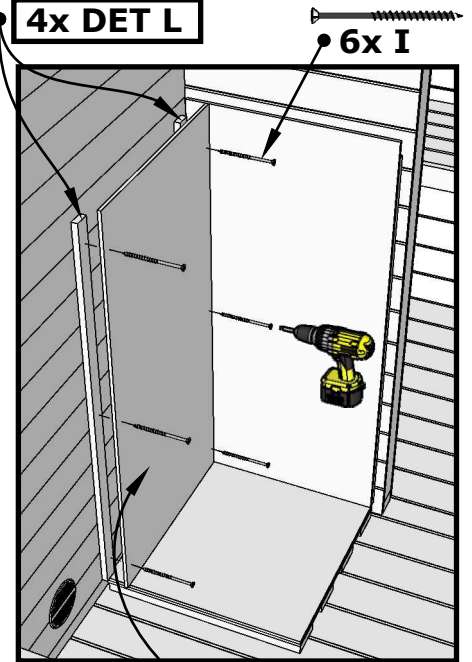
**2x DET 14
minerit**



**III 1x DET 15
(minerit)**



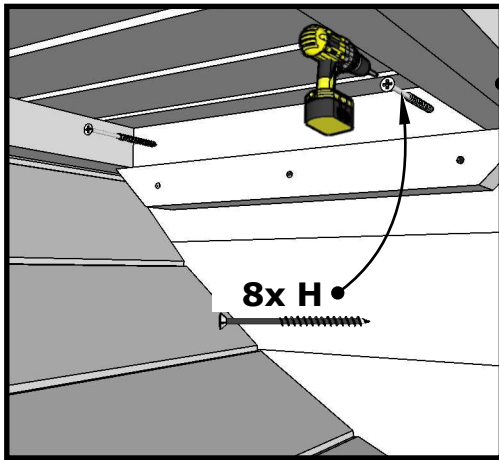
6x I



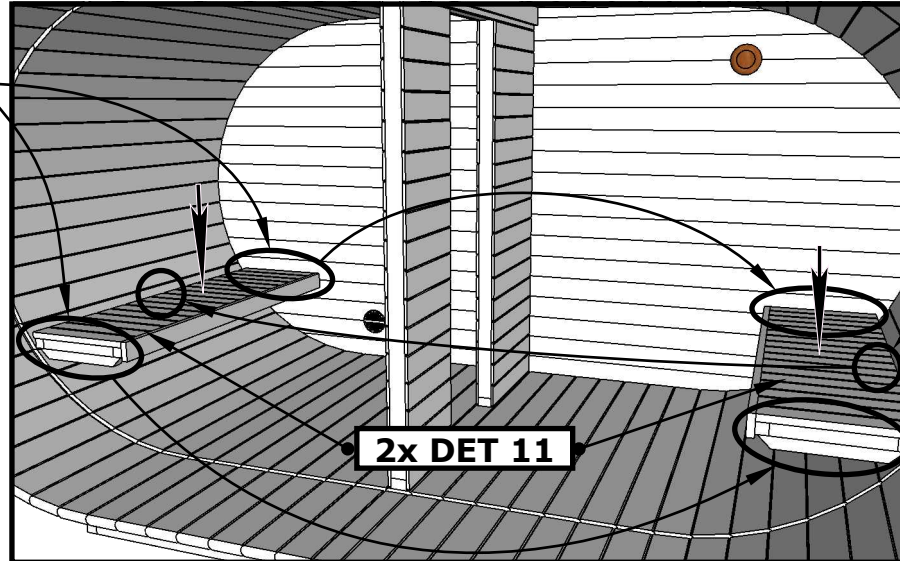
4x DET L

6x I

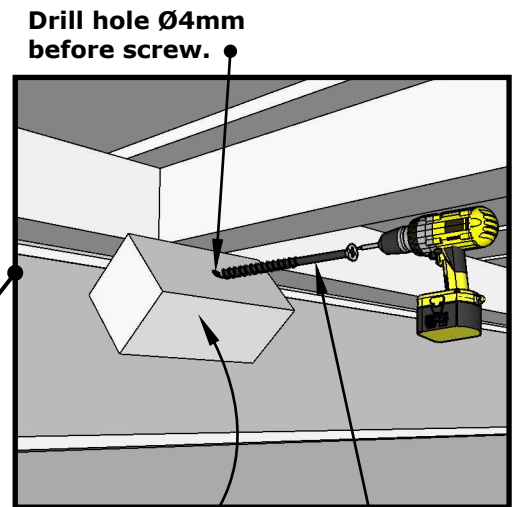
**IV 1x DET 15
(minerit)**



8x H



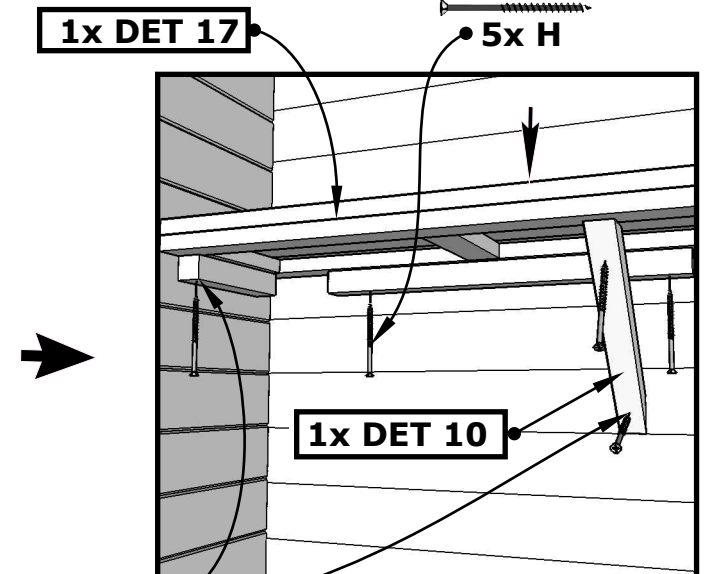
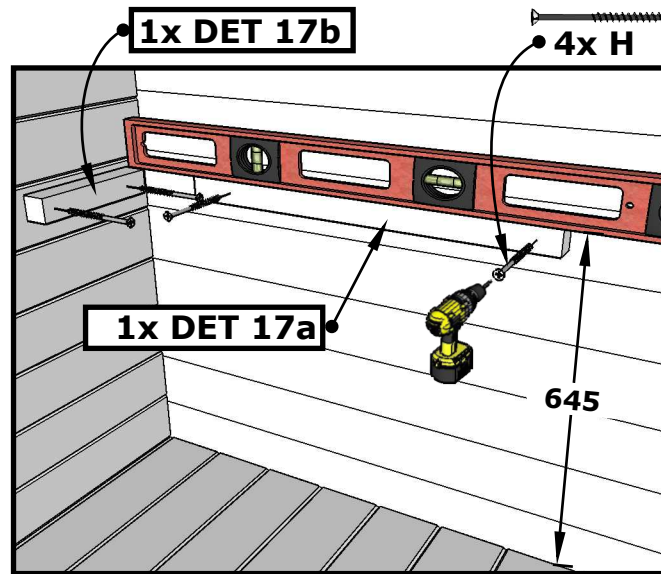
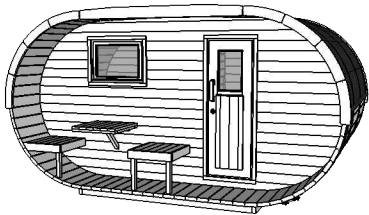
2x DET 11



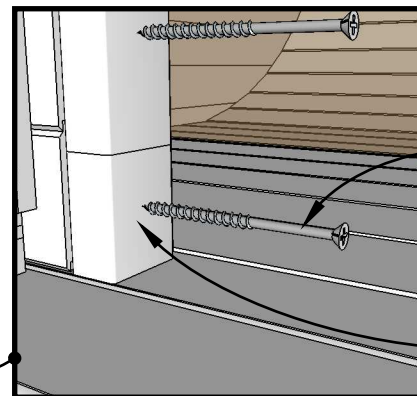
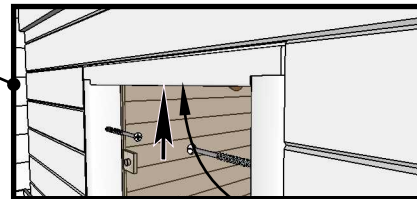
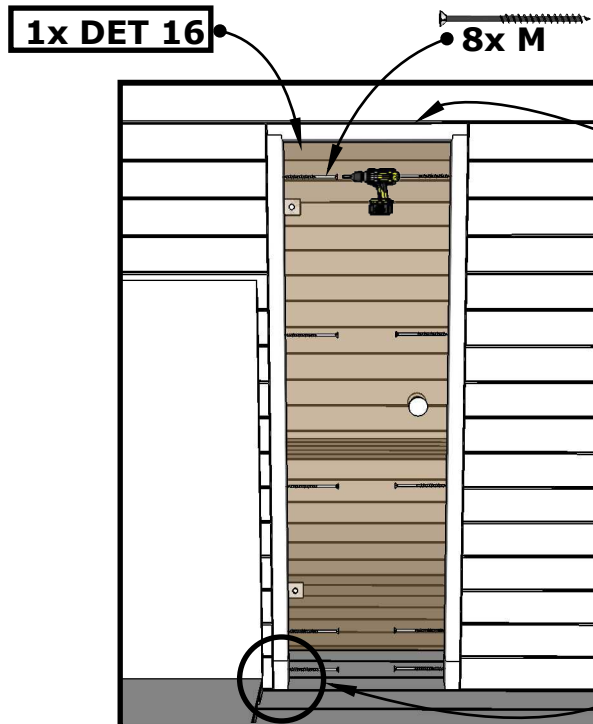
2x DET 12

2x H

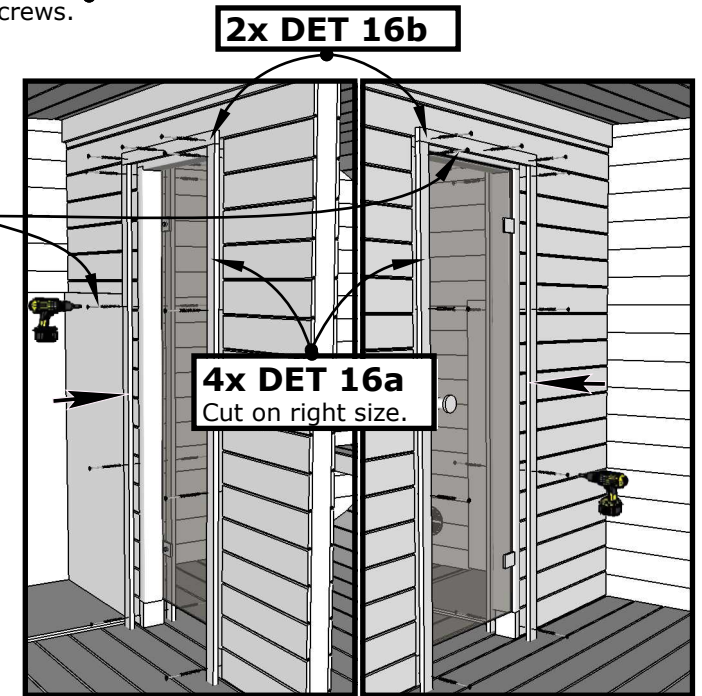
Sauna Oval 4 x 2,4



Drill holes Ø4mm before screws.



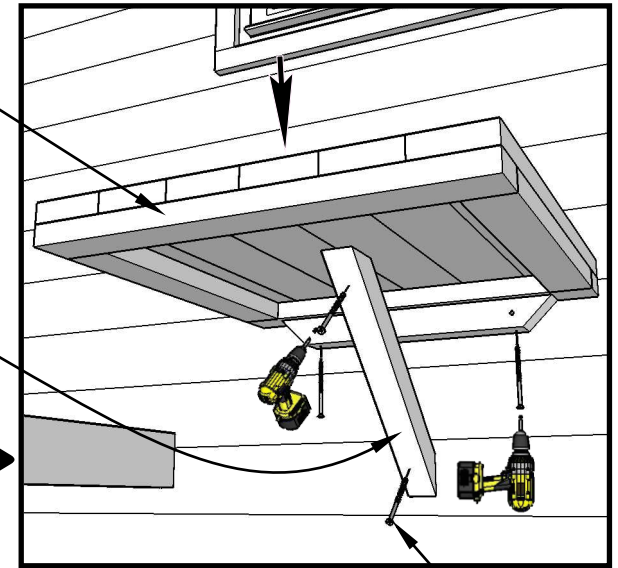
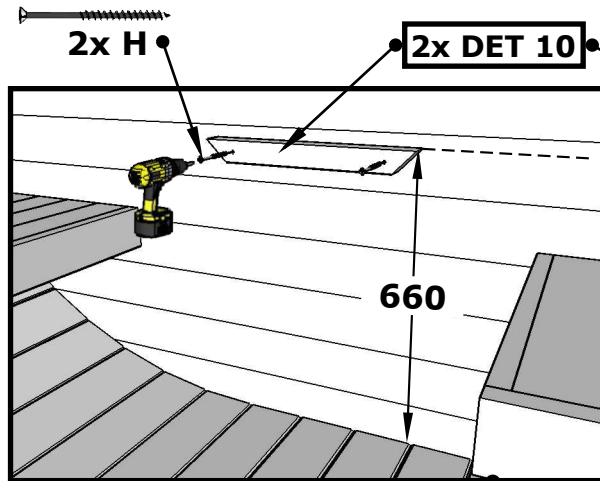
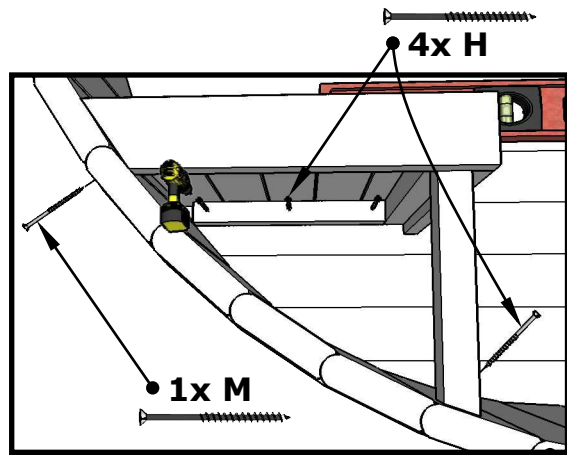
2x DET 16c
Cut on right size.



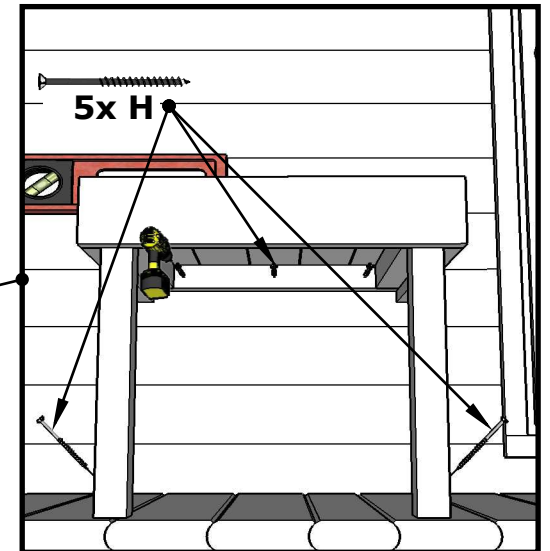
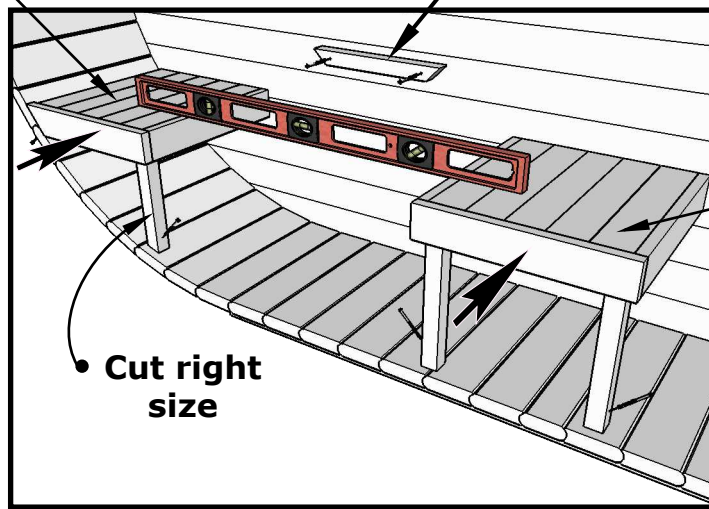
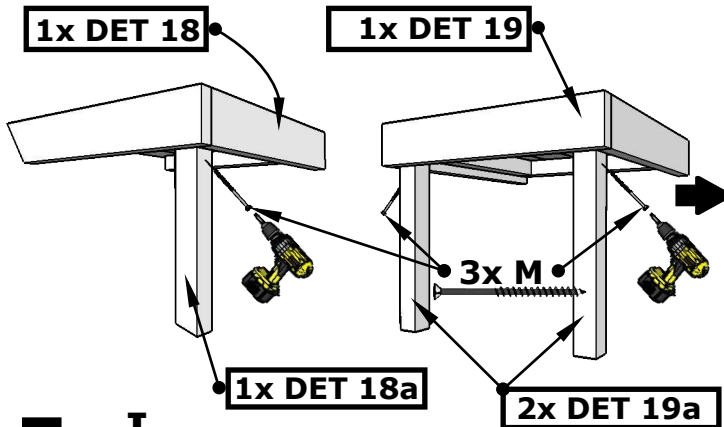
16. I

II

Sauna Oval 4 x 2,4



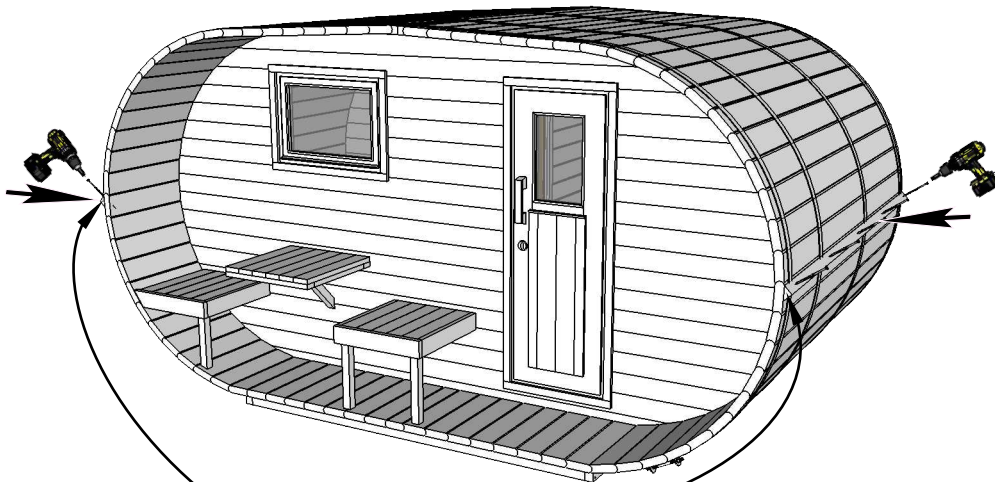
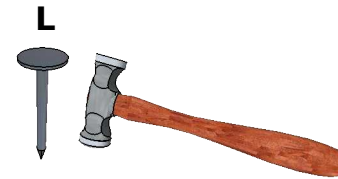
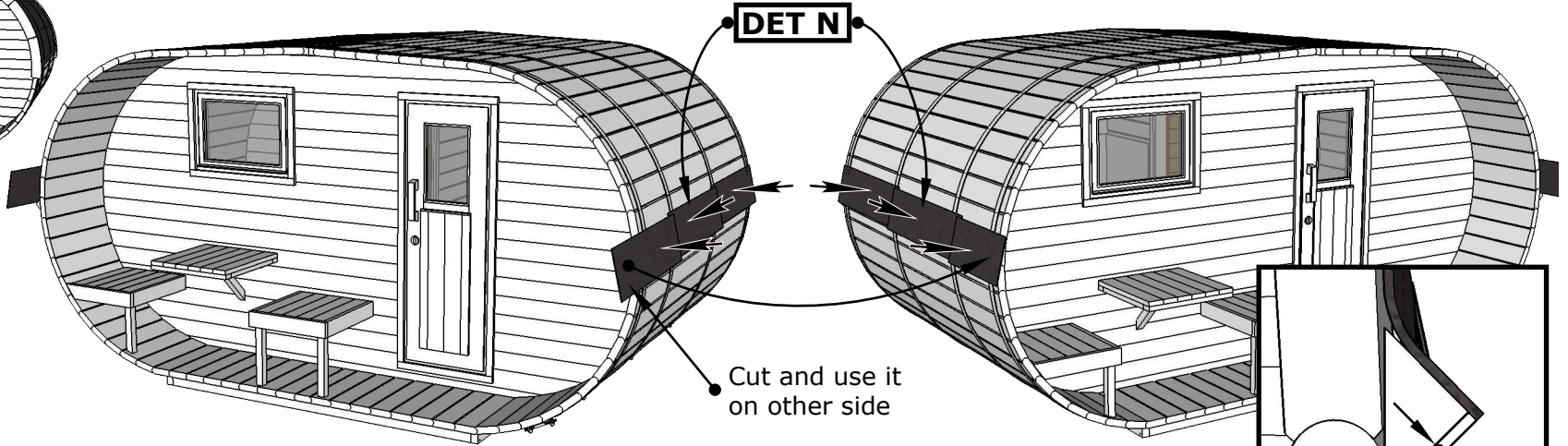
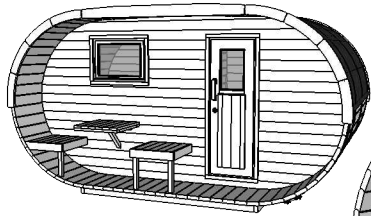
Drill holes Ø4mm before screws.



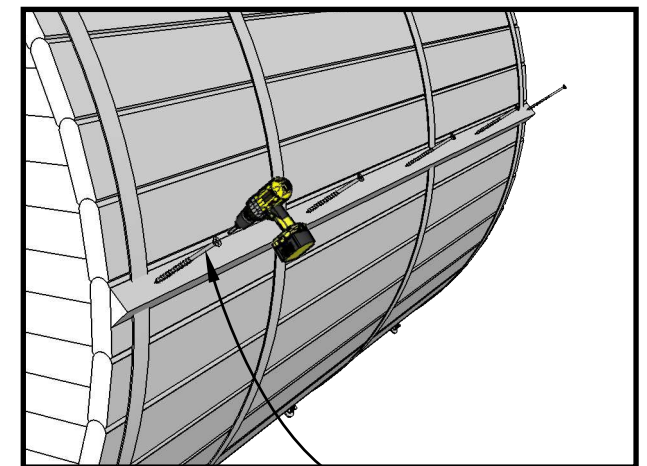
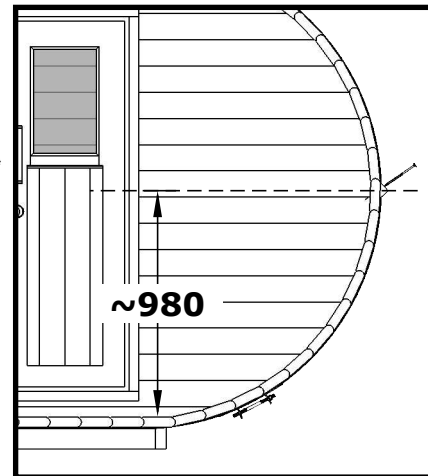
17. I

II

Sauna Oval 4 x 2,4

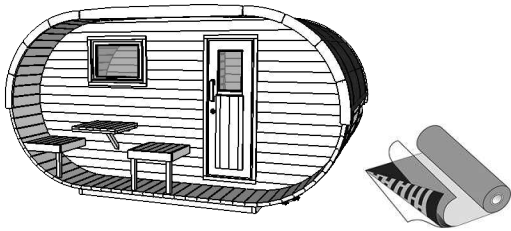


2x DET 21



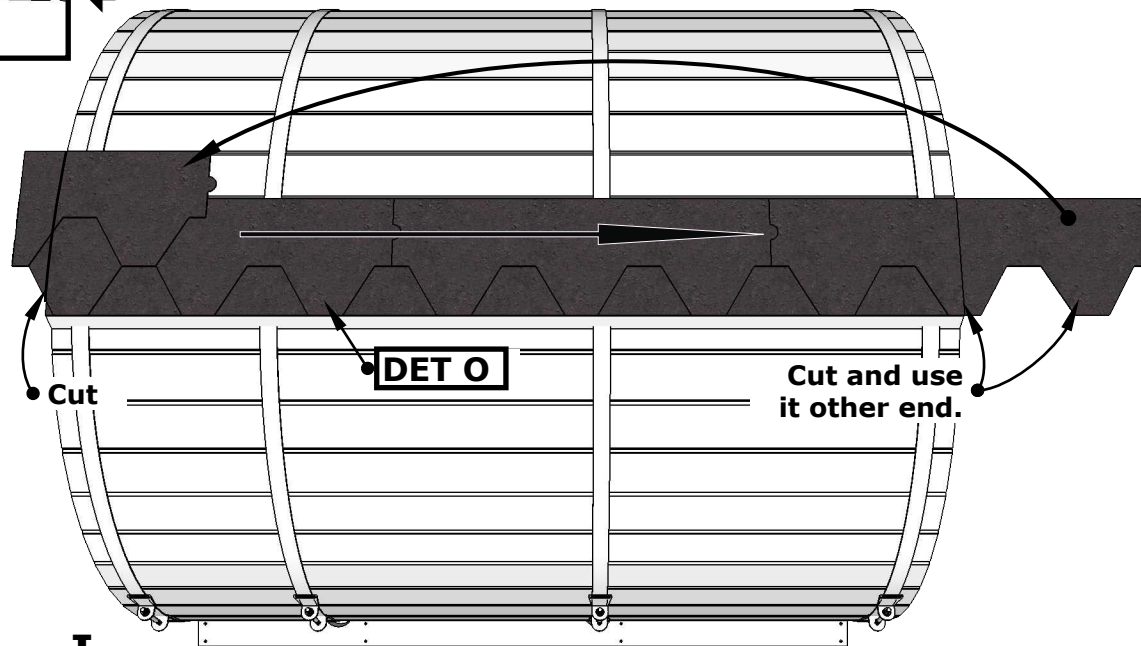
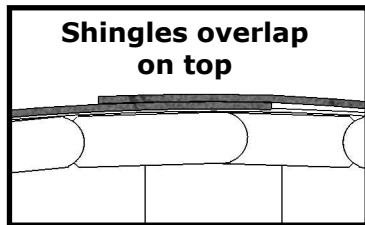
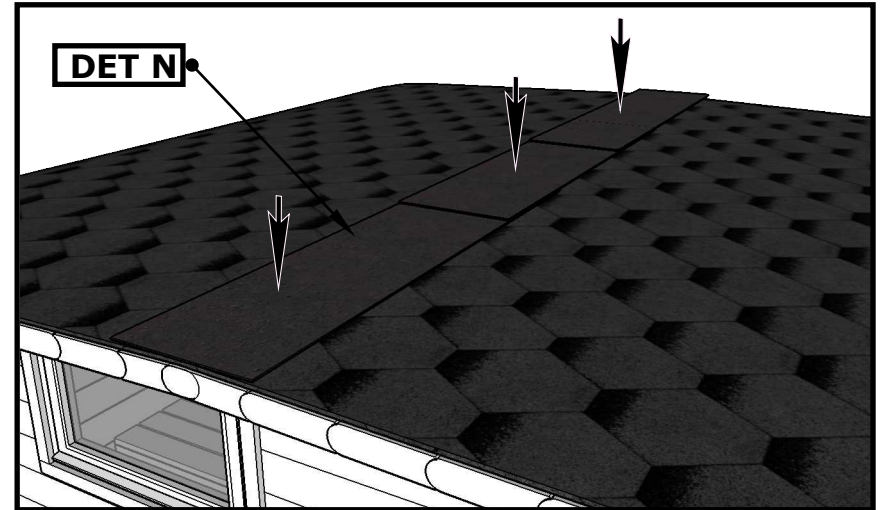
10x H

Sauna Oval 4 x 2,4

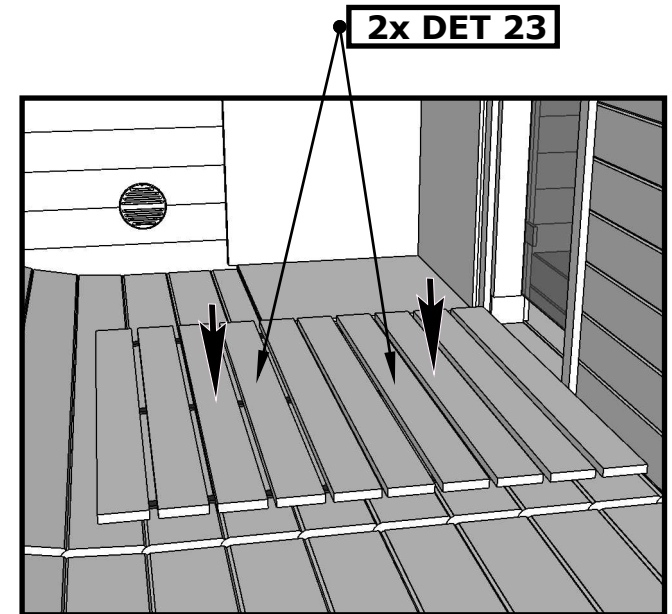
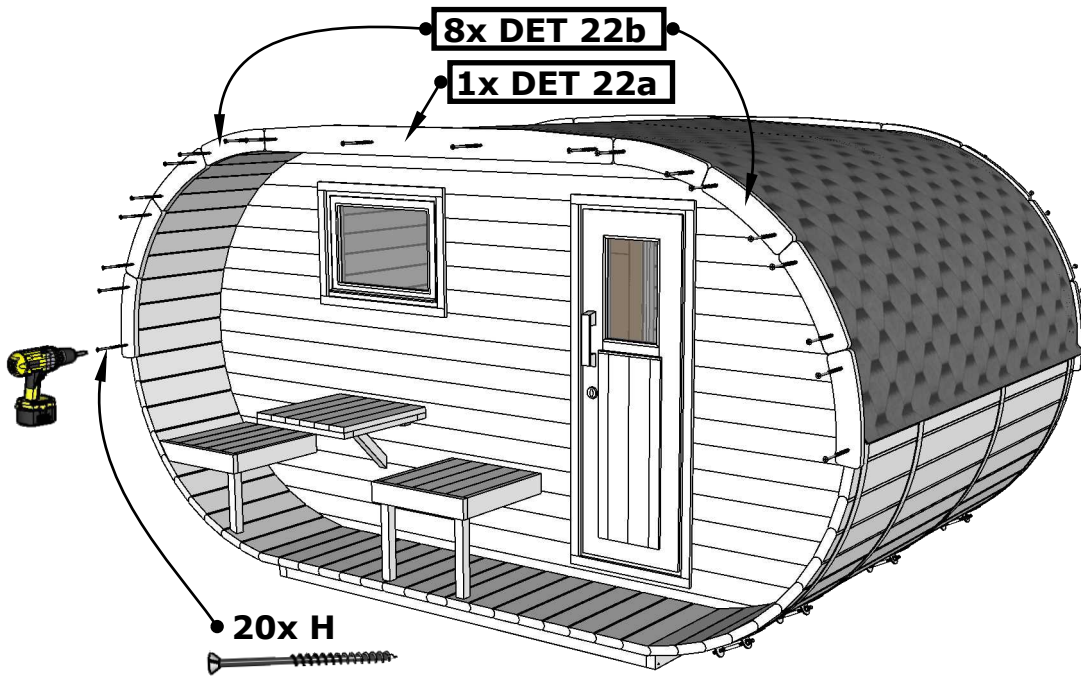
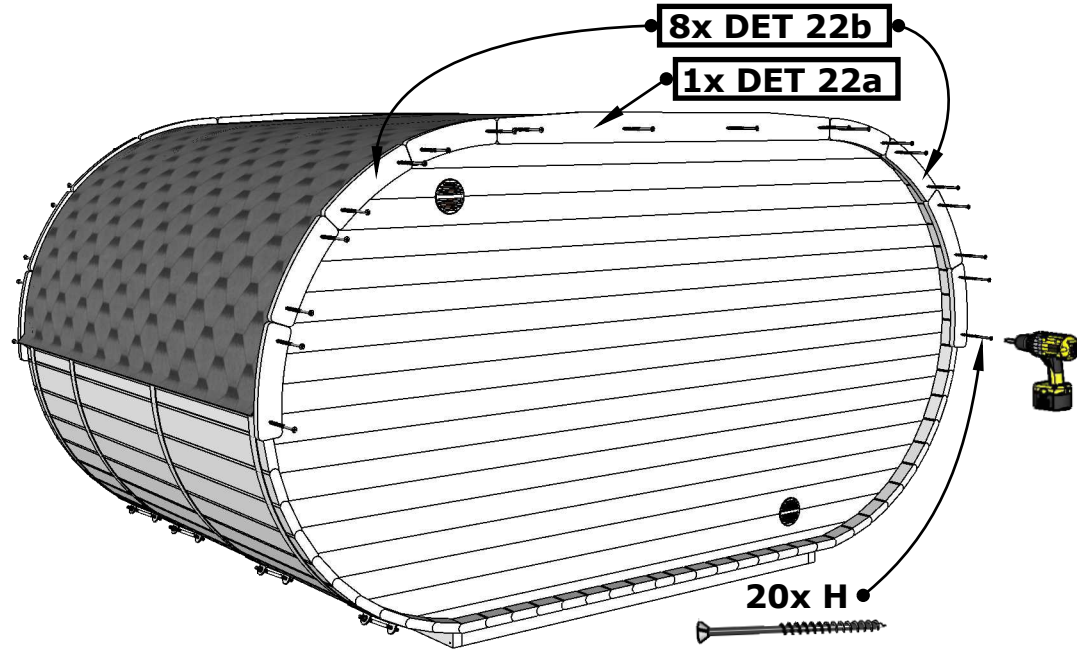
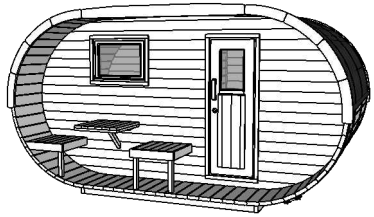


NB! Before shingles installation, underlay sheet **MUST** be installed. Check extra pages for instructions!

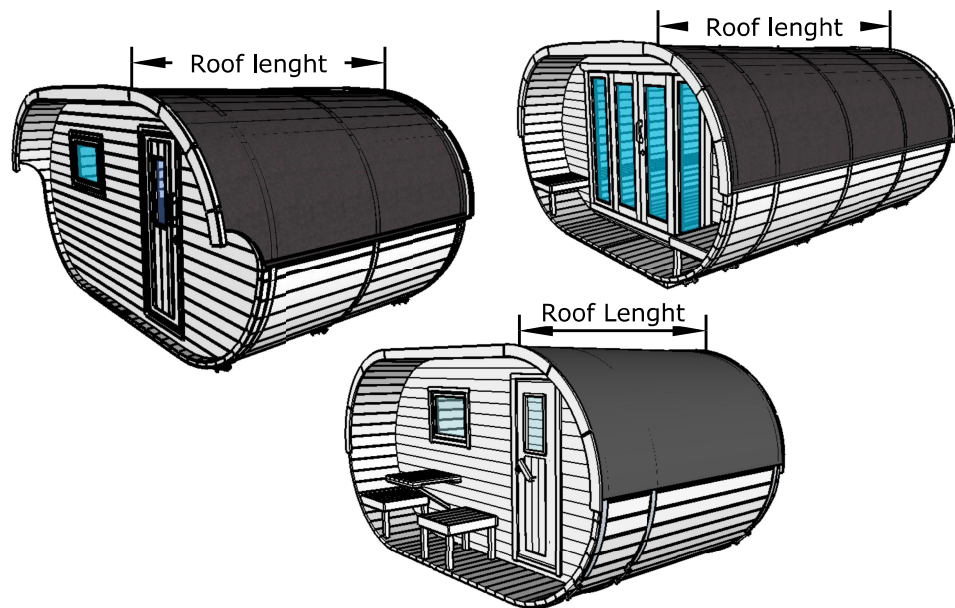
NB! Check also shingles installation manual inside package.



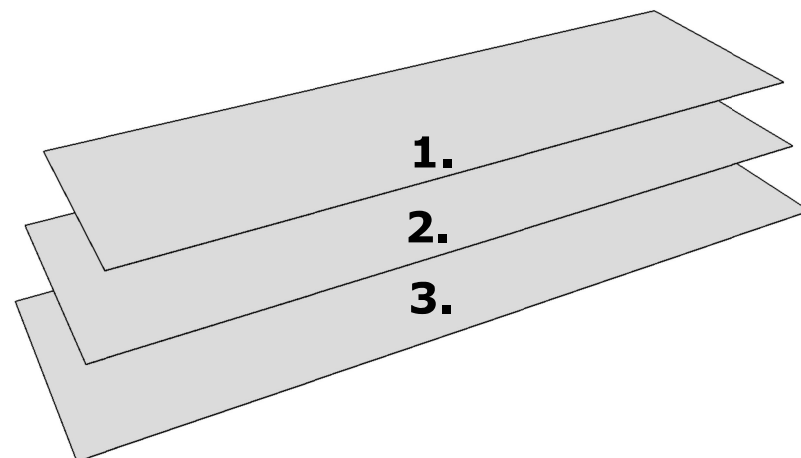
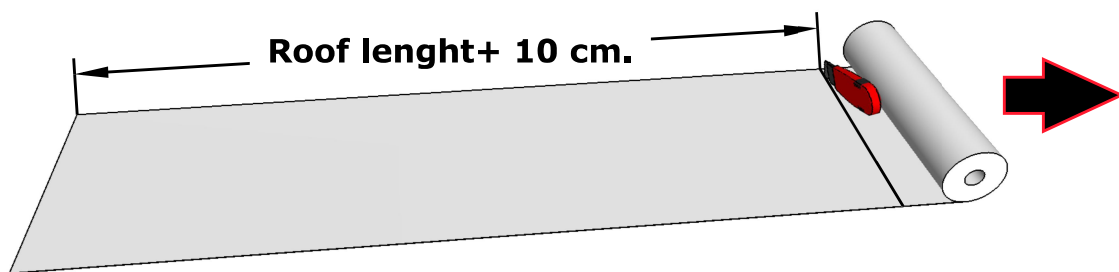
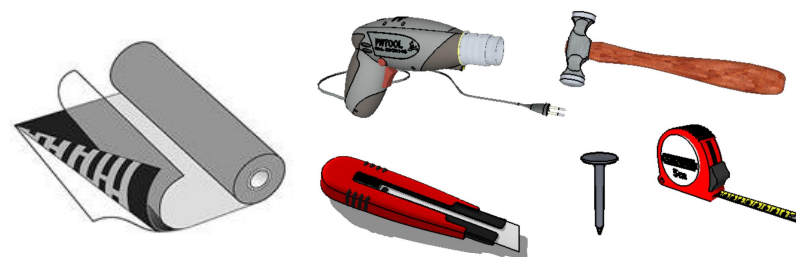
Sauna Oval 4 x 2,4



Self-adhesive UNDERLAY FELT INSTALLATION MANUAL.



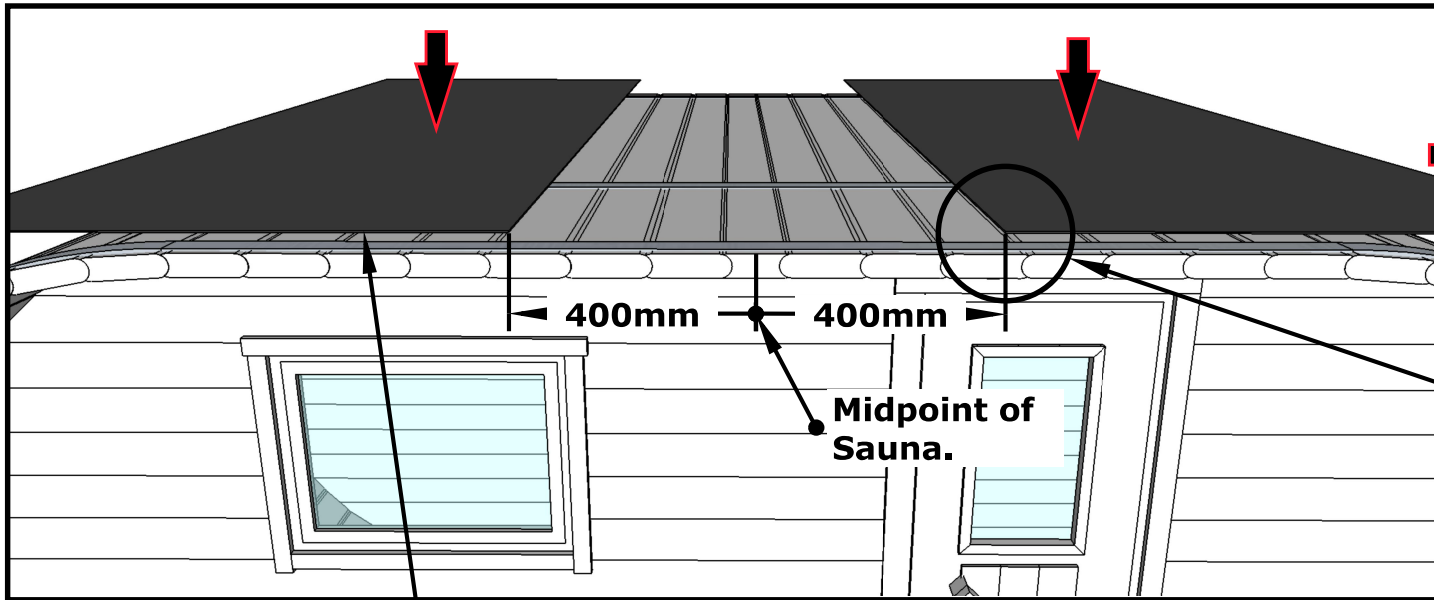
The temperature during installation should be a minimum of +10°C. In colder conditions, a hot air gun should be used. **Hot bitumen or torching must not be used when installing the felt.**



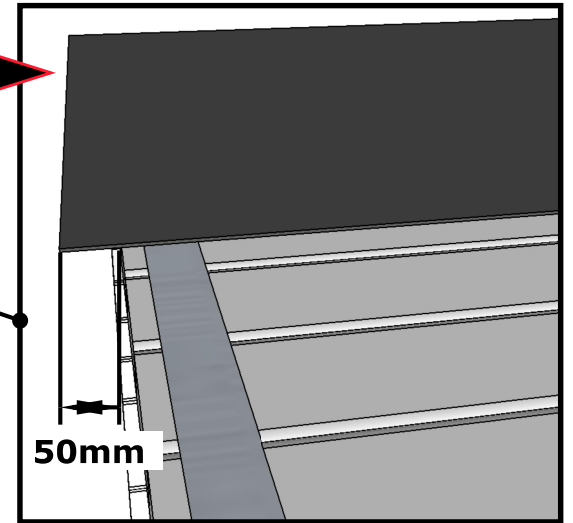
1.

I.

II.



I.



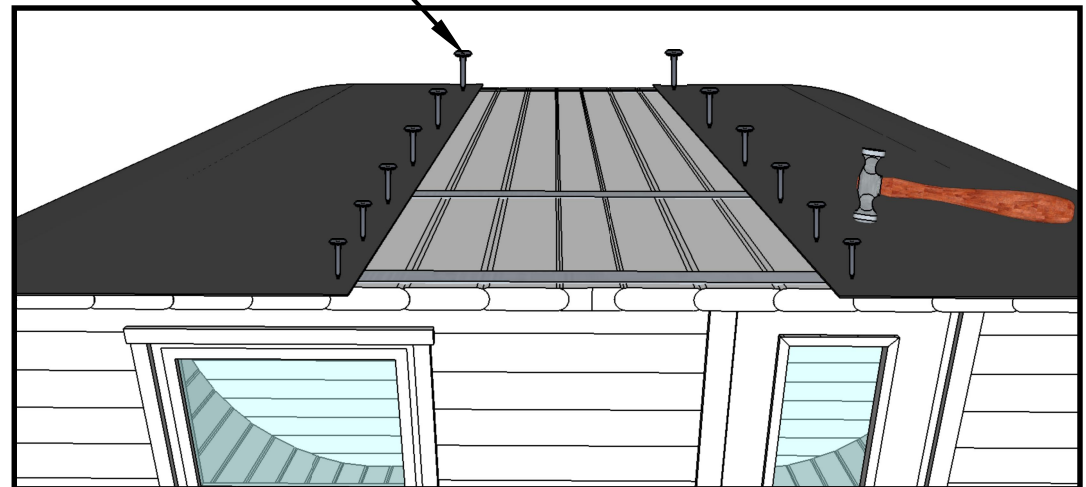
II.



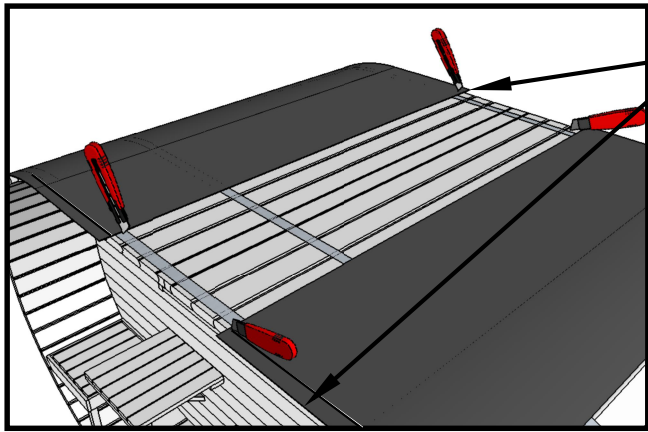
Before placing underlay felt, remove bottom film.

2.

Fix top side of underlay felt with clout nails every ~30 cm.



III.



I.

Remove top film.

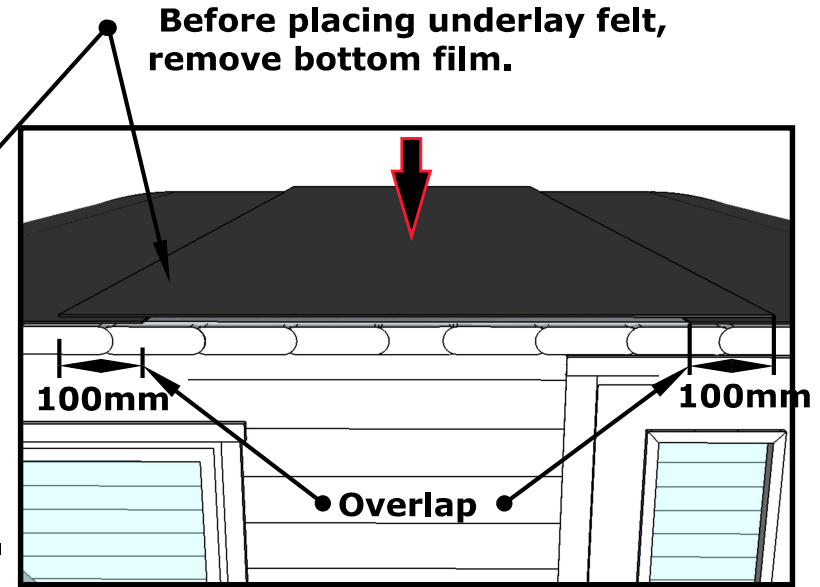
Cut off the parts that extend over the edge of the roof.



II.



III.

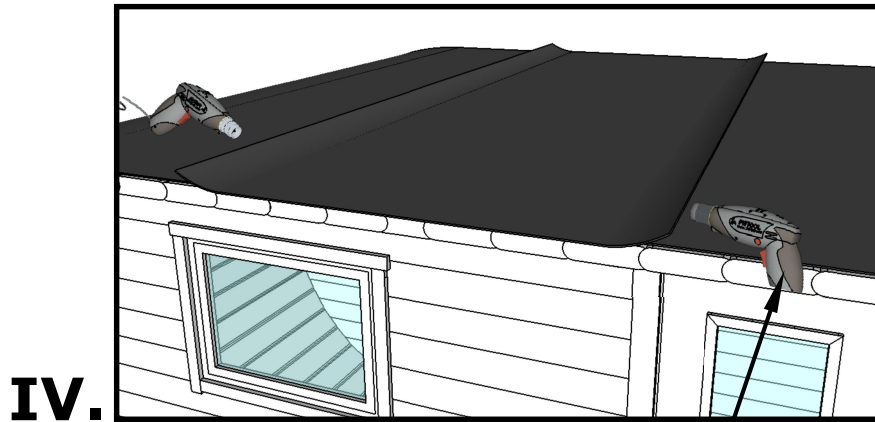


Before placing underlay felt, remove bottom film.

100mm

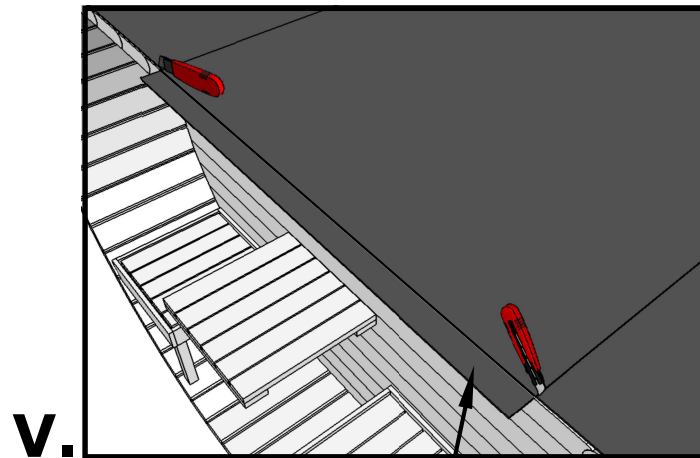
Overlap

100mm



IV.

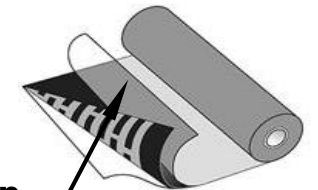
If necessary, use hot air gun to seal overlaps. Do not use torching!!! Do not use nails !!!



V.

Cut off the parts that extend over the edge of the roof.

Remove top film.



VI.

3.